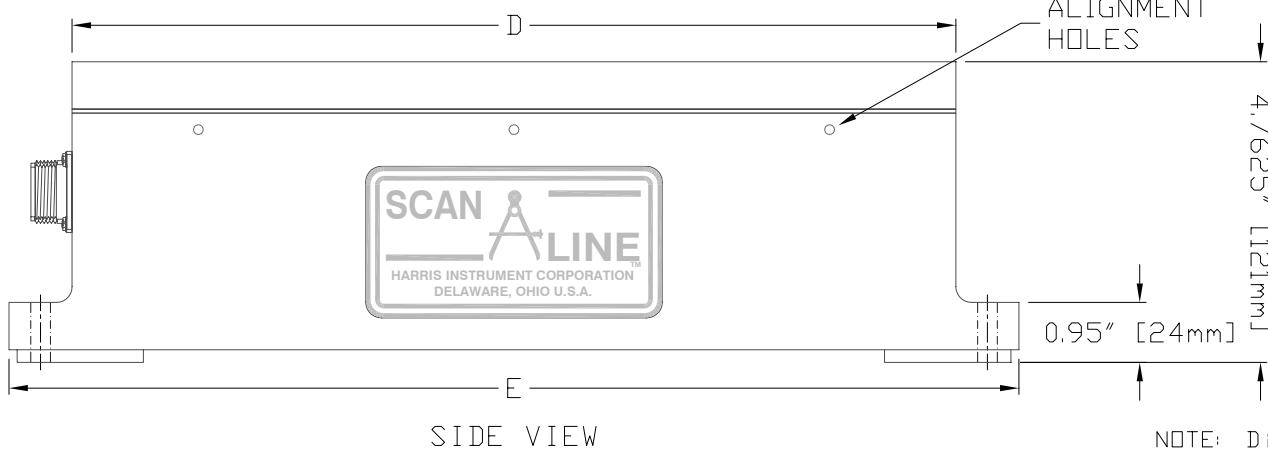
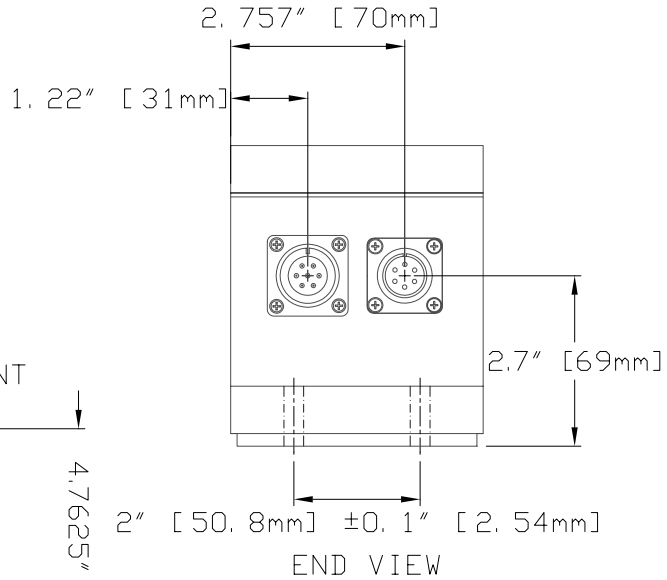
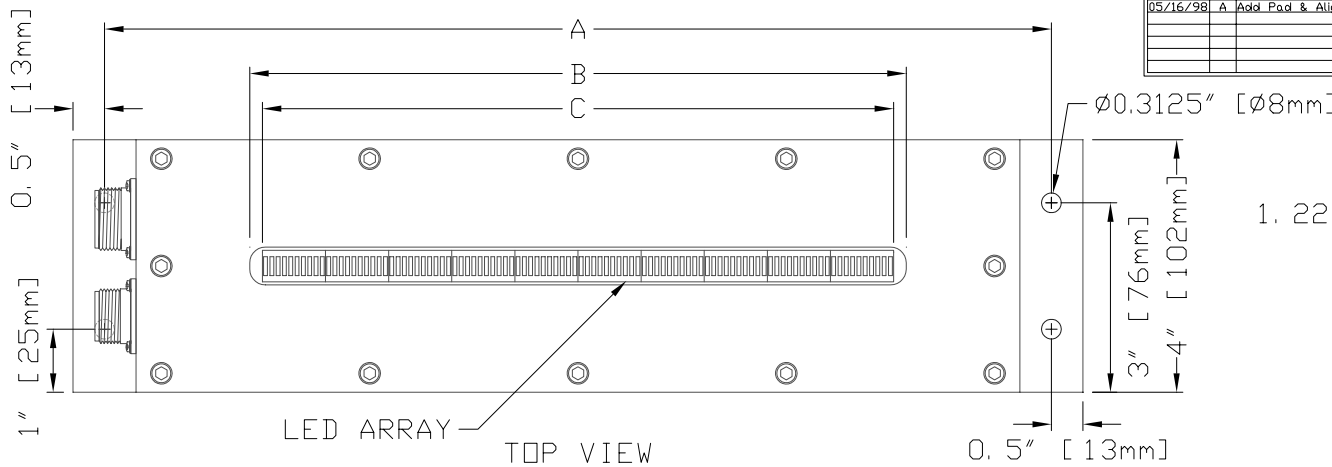


Date	Rev	Record	Auth	ECN #	Reference
06/21/95	1	Add Mounting Holes	MCM		1295004 Rev. B 10XA-Series Emitter Dims
10/31/95	2	Add Mounting Hole Tolerances	MCM		1295011 Rev. A 10X-Series UT Receiver Dims
03/31/97	3	Update Border	MCM		1295015 Rev. A 10X-Series Receiver Dims
06/19/97	4	Update Part Number	ML	47	
		No change to part			
05/08/98	5	Add Base Thickness Dimension	DH		
05/16/98	A	Add Pad & Alignment Holes	MCM		



NOTE: Dimensions for 10X-UT Series Emitters and Model SHD-200 Emitters & Receivers.
 NOTE: LINEAR TOLERANCES ±0.010" [0.254MM] UNLESS NOTED. CUMULATIVE TOLERANCES NOT TO EXCEED 0.025" [0.625MM] UNLESS NOTED. HOLE TOLERANCES +0.010"/-0.000" [+0.025MM/-0MM] UNLESS NOTED. ANGULAR TOLERANCES NOT TO EXCEED 2° UNLESS NOTED.

10X-10-UT	10X-30-UT
Dim. A=15" [381mm]*	Dim. A=35" [889mm]*
Dim. B=10.4" [264mm]	Dim. B=30.4" [772mm]
Dim. C=10" [254mm]	Dim. C=30" [762mm]
Dim. D=14" [356mm]	Dim. D=34" [864mm]
Dim. E=16" [406mm]	Dim. E=36" [914mm]
10X-20-UT	10X-40-UT
Dim. A=25" [635mm]*	Dim. A=45" [1143mm]*
Dim. B=20.4" [518mm]	Dim. B=40.4" [1026mm]
Dim. C=20" [508mm]	Dim. C=40" [1016mm]
Dim. D=24" [610mm]	Dim. D=44" [1118mm]
Dim. E=26" [660mm]	Dim. E=46" [1168mm]

*=Reference Only. ±0.1" [2.54mm] Nominal.

This drawing copyright 1997 by Harris Instrument Corp. This drawing contains information which is the proprietary property of Harris Instrument Corp. Copies may not be made or the contents disclosed beyond the expressed authorization of Harris Instrument Corp. This print shall be returned upon request. All rights reserved.

HARRIS INSTRUMENT Corporation 155 Johnson Drive Delaware, Ohio 43015 U.S.A.						
Page 1/3	Size A	Scale 1:3	Drawn by MCM	Date 01/18/95	Approved by	Date
Part Revision A	DWG Revision 5	EVD # N/A	EPS # N/A	Standard Finish Blue Polane Paint		
Material				Assembly # N/A		
Drawing Title Dimensions, 10X-Series Sensor ULTRA-TOUGH Emitter				Old Drawing # CA95007		
				Drawing # 1295007		