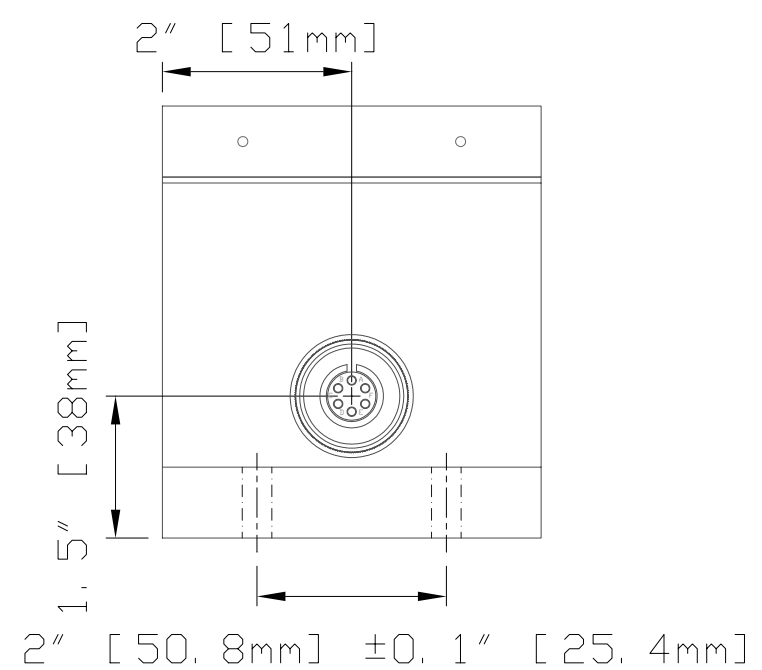
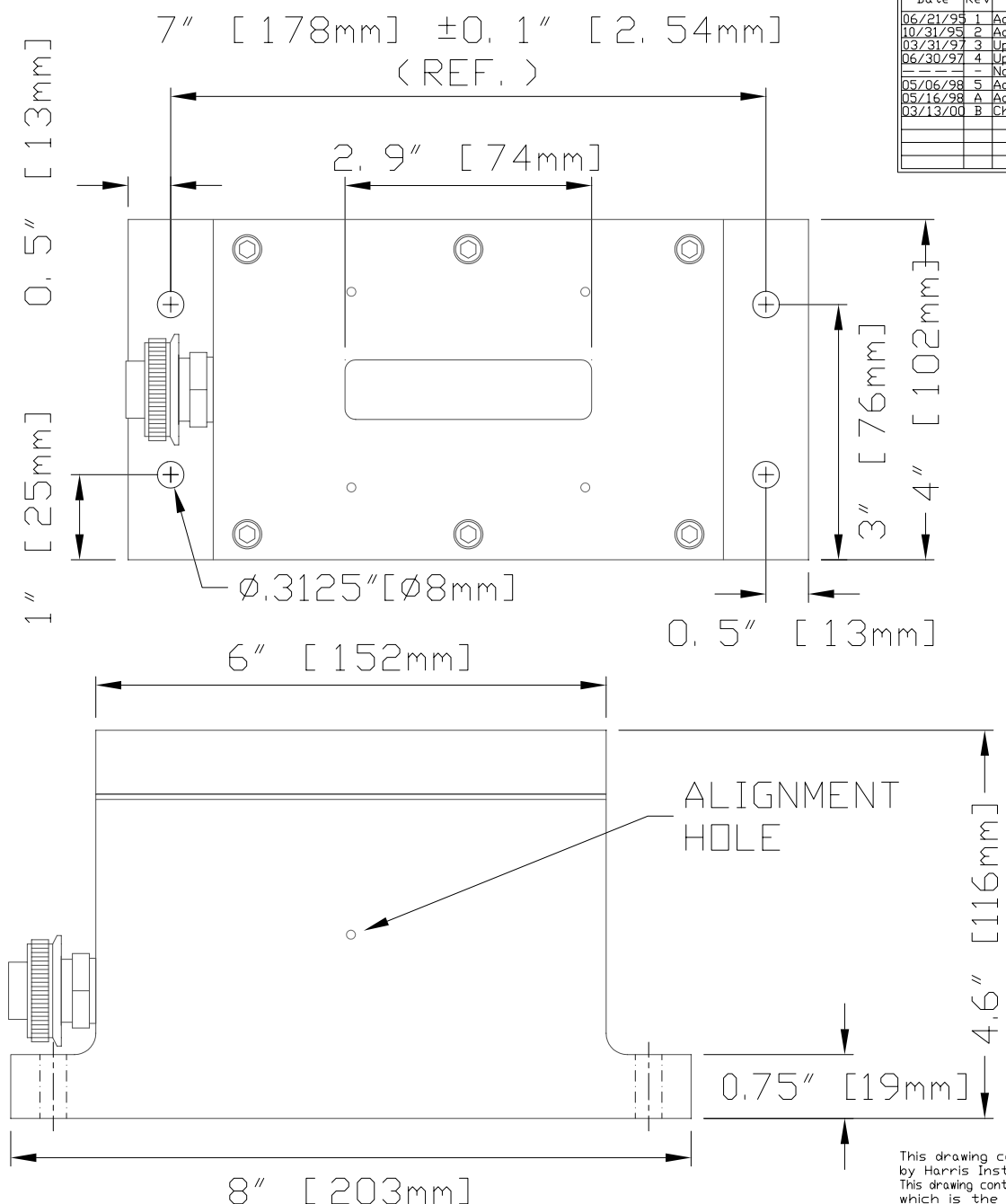


Date	Rev	Record	Auth	ECN #	Reference
06/21/95	1	Add Mounting Holes	MCM		1295004 Rev B 10XA-Series Emitter Dimensions
10/31/95	2	Add Mounting Hole Tolerances	MCM		1295007 Rev A 10X-Series UT Emitter Dimensions
03/31/97	3	Update Border	MCM		1295015 Rev C 10X-Series Receiver Dimensions
06/30/97	4	Update Part Number	ML	47	
		No change to part			
05/06/98	5	Add Base Thickness Dimension	DH		
05/16/98	A	Add Alignment Hole	MCM		
03/13/00	B	Change to Bushing Connector	KVH	230	



NOTE: LINEAR TOLERANCES ±0.010" [0.254MM] UNLESS NOTED. CUMULATIVE TOLERANCES NOT TO EXCEED 0.025" [0.625MM] UNLESS NOTED. HOLE TOLERANCES +0.010"/-0.000" [+0.025MM/-0MM] UNLESS NOTED. ANGULAR TOLERANCES NOT TO EXCEED 2° UNLESS NOTED.

<b>HARRIS INSTRUMENT Corporation</b> 155 Johnson Drive Delaware, Ohio 43015 U.S.A.						
Page 1/1	Size A	Scale 1:2	Drawn by MCM	Date 01/25/95	Approved by	Date
Part Revision B	DWG Revision 5	EVO # N/A	EPS # N/A	Standard Finish Blue Polane Paint		
Material				Assembly # N/A		
Drawing Title Dimensions, 10XR-Series Sensor ULTRA-TOUGH Receiver				Old Drawing # CA95011		
				Drawing # 1295011		

This drawing copyright 1997 by Harris Instrument Corp. This drawing contains information which is the proprietary property of Harris Instrument Corp. Copies may not be made or the contents disclosed beyond the expressed authorization of Harris Instrument Corp. This print shall be returned upon request. All rights reserved.