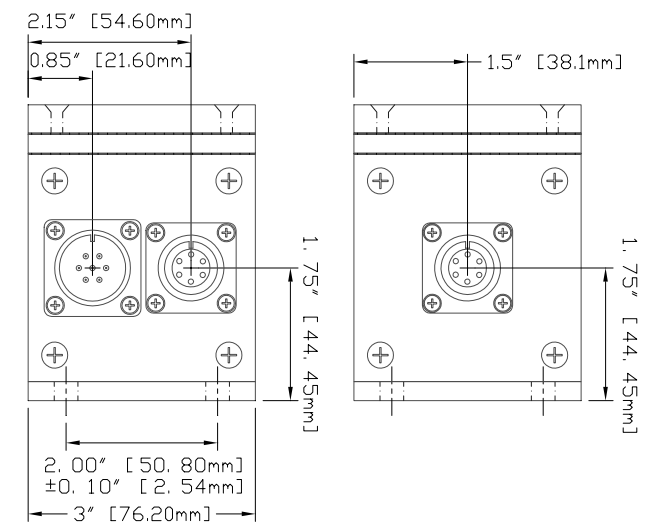
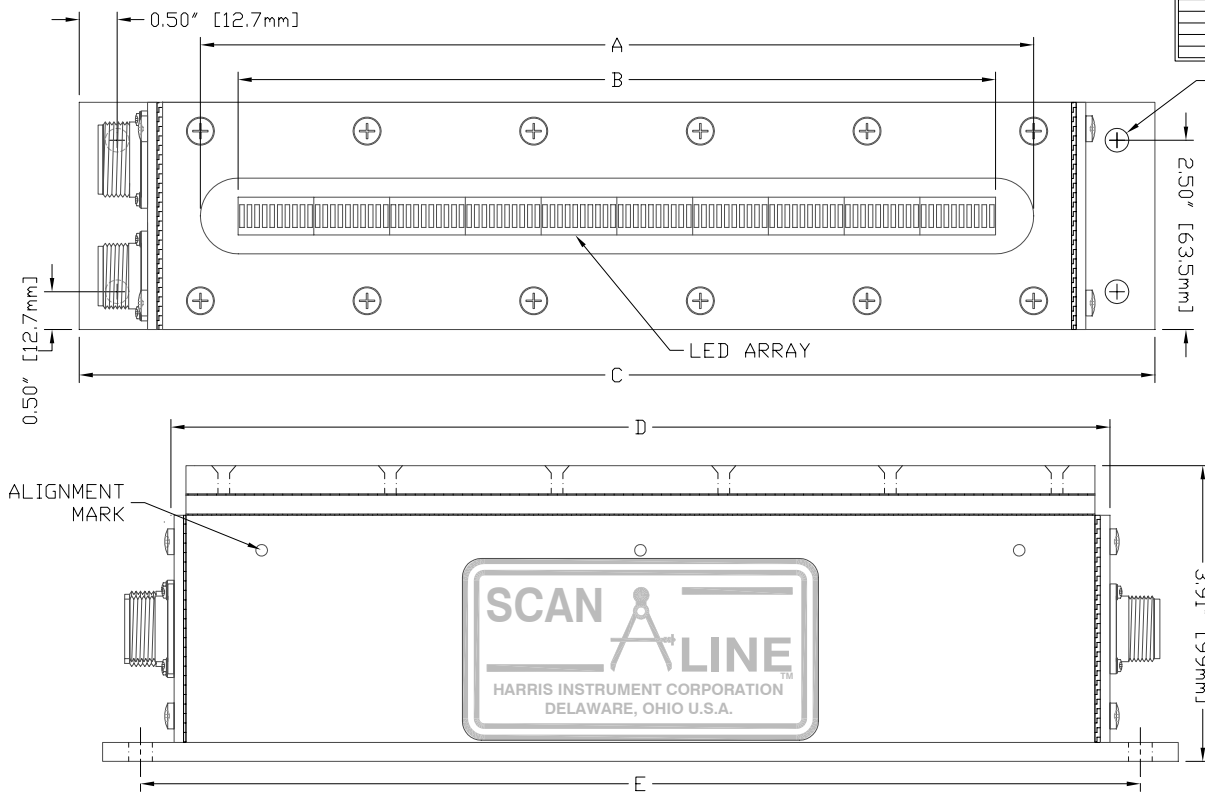


Date	Rev	Record	Auth	ECN #	Reference
05/15/96	A	10XA Update	MCM		1295007 Rev A 10X-Series UI Emitter Dimensions
03/31/97	1	Update Border	MCM		1295011 Rev A 10X-Series UI Receiver Dimensions
06/24/97	2	Update Part #/Fix Wrong Dim	ML	47	1295015 Rev A 10X-Series Receiver Dimensions
		No change to part			
05/13/98	B	Change Bezel Window and	MCM		1298141 Rev A 10XBR-Series Emitter Dimensions
		Add Alignment Marks			



NOTE: 10XA-CR Emitters replace the Neoprene Gaskets with Teflon Joint Sealant between Bezel Mounting Plate, Bezel, Emitter Housing, Endcaps, and Amphenols. Teflon Joint Sealant Compound used on Baseplate and Circular Connector Mounting Screw Threads. Finish is Blue Polane Paint for -CR Sensors.

NOTE: THE FOLLOWING DIMENSIONS ARE VALID FOR: 10XAAS, 10XABR, 10XASH, & 10XAHD EMITTER; ALSO 10XASH RECEIVERS.

10XA-10		10XA-20	
Dim. A=11.00" [279mm]	Dim. A=21.00" [533mm]	Dim. A=21.00" [533mm]	Dim. A=21.00" [533mm]
Dim. B=10.00" [254mm]	Dim. B=20.00" [508mm]	Dim. B=20.00" [508mm]	Dim. B=20.00" [508mm]
Dim. C=14.20" [361mm]	Dim. C=24.20" [615mm]	Dim. C=24.20" [615mm]	Dim. C=24.20" [615mm]
Dim. D=12.40" [315mm]	Dim. D=22.40" [569mm]	Dim. D=22.40" [569mm]	Dim. D=22.40" [569mm]
Dim. E=13.20" [335mm]	Dim. E=23.20" [589mm]	Dim. E=23.20" [589mm]	Dim. E=23.20" [589mm]
±0.10" [2.5mm]	±0.10" [2.5mm]	±0.10" [2.5mm]	±0.10" [2.5mm]

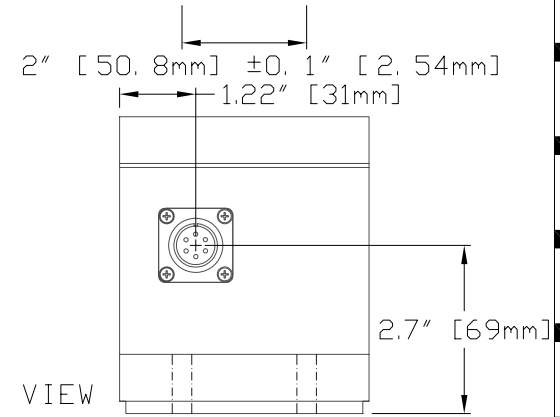
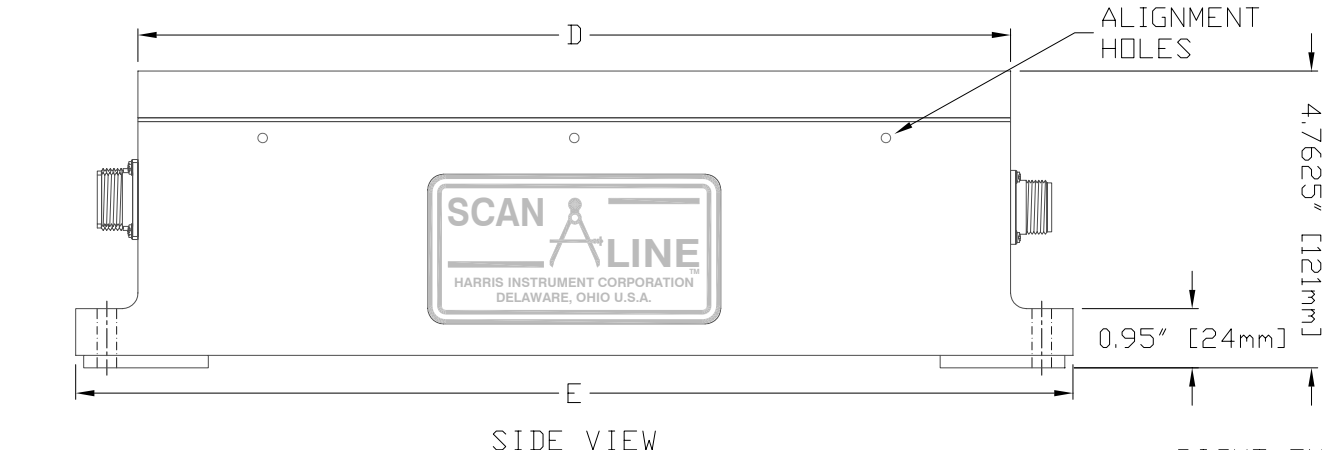
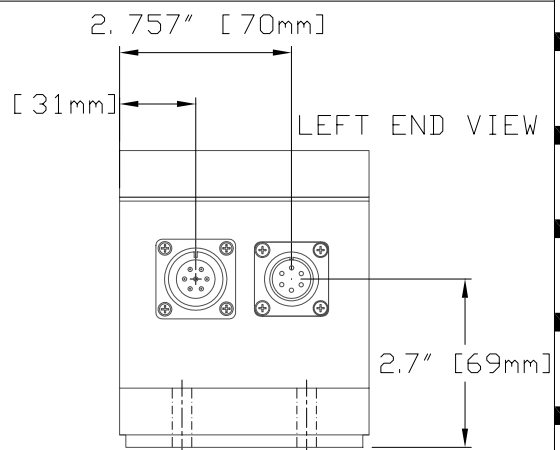
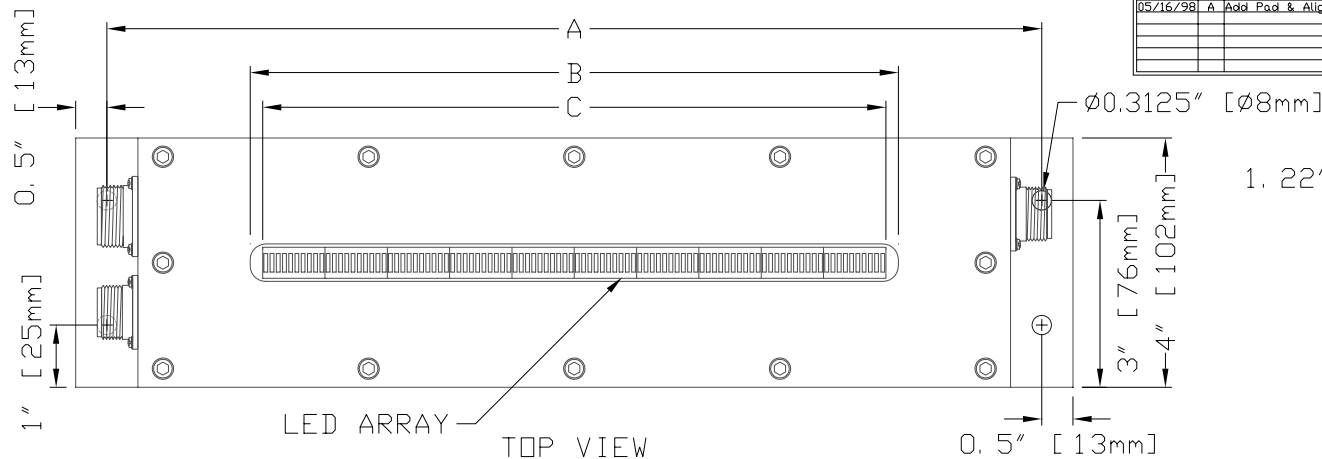
10XA-30		10XA-40	
Dim. A=31.00" [787mm]	Dim. A=41.00" [1041mm]	Dim. A=41.00" [1041mm]	Dim. A=41.00" [1041mm]
Dim. B=30.00" [762mm]	Dim. B=40.00" [1016mm]	Dim. B=40.00" [1016mm]	Dim. B=40.00" [1016mm]
Dim. C=34.20" [869mm]	Dim. C=44.20" [1123mm]	Dim. C=44.20" [1123mm]	Dim. C=44.20" [1123mm]
Dim. D=32.40" [823mm]	Dim. D=42.40" [1077mm]	Dim. D=42.40" [1077mm]	Dim. D=42.40" [1077mm]
Dim. E=33.20" [843mm]	Dim. E=43.20" [1097mm]	Dim. E=43.20" [1097mm]	Dim. E=43.20" [1097mm]
±0.10" [2.5mm]	±0.10" [2.5mm]	±0.10" [2.5mm]	±0.10" [2.5mm]

NOTE: LINEAR TOLERANCES ±0.010" [0.254MM] UNLESS NOTED. CUMULATIVE TOLERANCES NOT TO EXCEED 0.025" [0.625MM] UNLESS NOTED. HOLE TOLERANCES +0.010"/-0.000" [+0.025MM/-0MM] UNLESS NOTED. ANGULAR TOLERANCES NOT TO EXCEED 2° UNLESS NOTED.

<b>HARRIS INSTRUMENT Corporation</b> 155 Johnson Drive Delaware, Ohio 43015 U.S.A.						
Page 2/3	Size A	Scale 1:2.5	Drawn by MCM	Date 04/17/95	Approved by	Date
Part Revision B	DWG Revision 2	EVD # N/A	EPS # N/A	Standard Finish Black Anodized	Assembly # 4495004	
Drawing Title Dimensions, Model 10XA Sensor Emitter for TSR Option or 10XABR-Series Emitter				Old Drawing # CA95004A	Drawing # 1295004	

This drawing copyright 1997 by Harris Instrument Corp. This drawing contains information which is the proprietary property of Harris Instrument Corp. Copies may not be made or the contents disclosed beyond the expressed authorization of Harris Instrument Corp. This print shall be returned upon request. All rights reserved.

Date	Rev	Record	Auth	ECN #	Reference
06/21/95	1	Add Mounting Holes	MCM		1295004 Rev B 10XA-Series Emitter Dims
10/31/95	2	Add Mounting Hole Tolerances	MCM		1295011 Rev A 10X-Series UT Receiver Dims
03/31/97	3	Update Border	MCM		1295015 Rev A 10X-Series Receiver Dims
06/19/97	4	Update Part Number	ML	47	
-----	-	No change to part	--		
05/08/98	5	Add Base Thickness Dimension	DH		
03/16/98	A	Add Pad & Alignment Holes	MCM		



NOTE: Dimensions for 10X-UT Series Emitters and Model 10XASH-UT Receivers.

10X-10-UT	10X-30-UT
Dim. A=15" [381mm]*	Dim. A=35" [889mm]*
Dim. B=10.4" [264mm]	Dim. B=30.4" [772mm]
Dim. C=10" [254mm]	Dim. C=30" [762mm]
Dim. D=14" [356mm]	Dim. D=34" [864mm]
Dim. E=16" [406mm]	Dim. E=36" [914mm]
10X-20-UT	10X-40-UT
Dim. A=25" [635mm]*	Dim. A=45" [1143mm]*
Dim. B=20.4" [518mm]	Dim. B=40.4" [1026mm]
Dim. C=20" [508mm]	Dim. C=40" [1016mm]
Dim. D=24" [610mm]	Dim. D=44" [1118mm]
Dim. E=26" [660mm]	Dim. E=46" [1168mm]

\*=Reference Only. ±0.1" [2.54mm] Nominal.

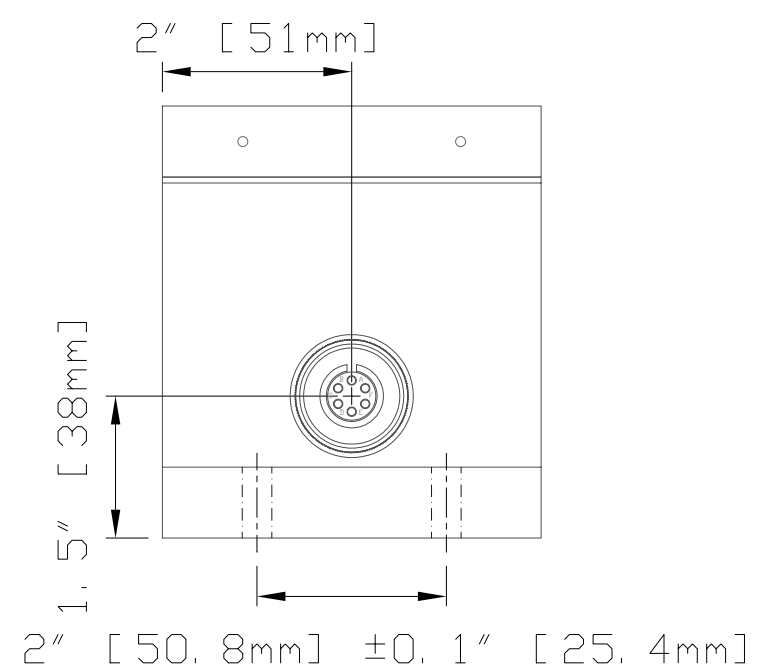
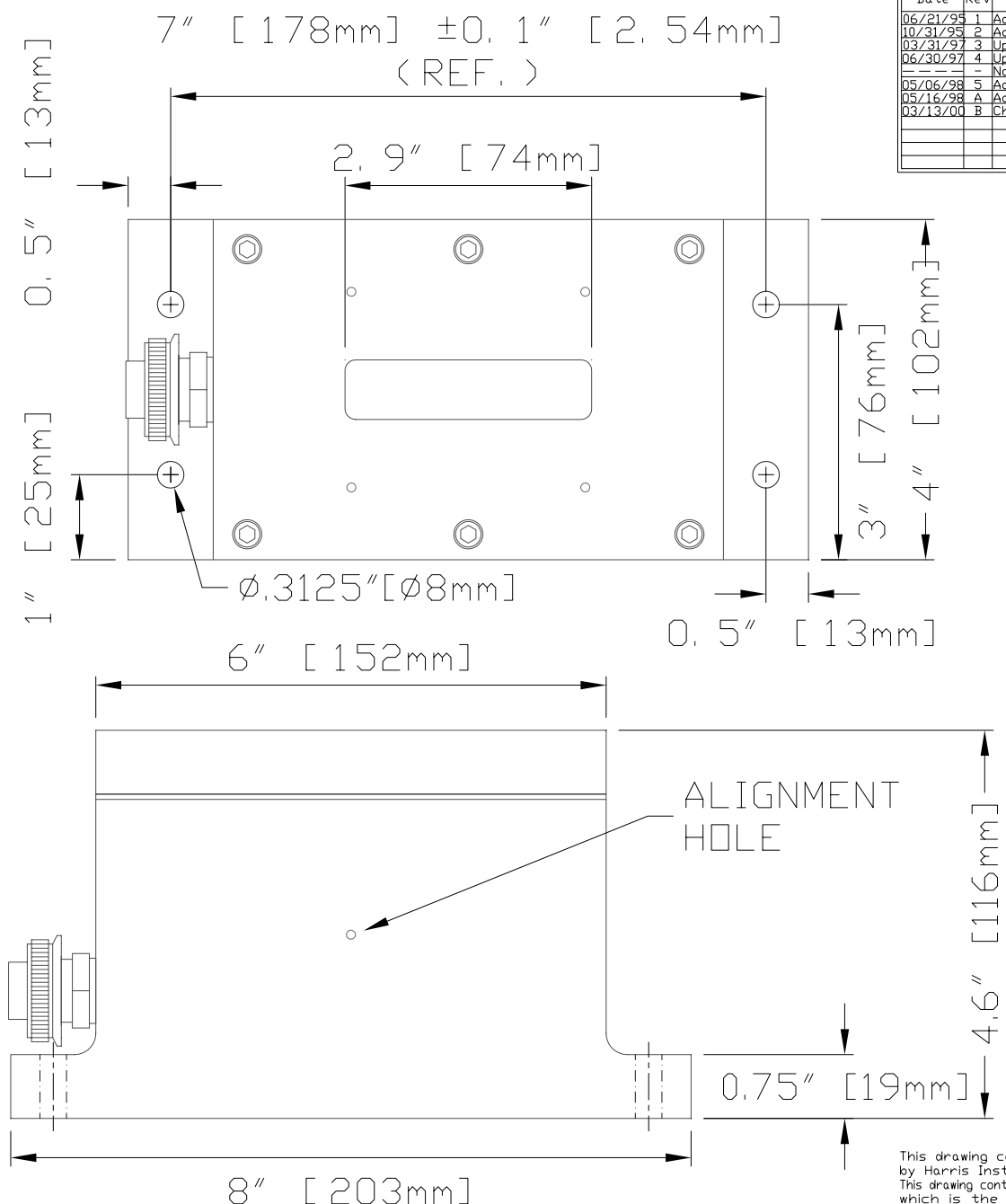
NOTE: LINEAR TOLERANCES ±0.010" [0.254MM] UNLESS NOTED. CUMULATIVE TOLERANCES NOT TO EXCEED 0.025" [0.625MM] UNLESS NOTED. HOLE TOLERANCES +0.010"/-0.000" [+0.025MM/-0MM] UNLESS NOTED. ANGULAR TOLERANCES NOT TO EXCEED 2° UNLESS NOTED.

HARRIS INSTRUMENT Corporation  
155 Johnson Drive  
Delaware, Ohio 43015 U.S.A.

Page 2/3	Size A	Scale 1:3	Drawn by MCM	Date 01/18/95	Approved by	Date
Part Revision A	DWG Revision 5	EVO # N/A	EPS # N/A	Standard Finish Blue Polane Paint	Assembly #	
Drawing Title Dimensions, 10X-Series Sensor ULTRA-TOUGH Emitter for TSR Option or 10XBR-Series Sensors				Old Drawing # CA95007	Drawing # 1295007	

This drawing copyright 1997 by Harris Instrument Corp. This drawing contains information which is the proprietary property of Harris Instrument Corp. Copies may not be made or the contents disclosed beyond the expressed authorization of Harris Instrument Corp. This print shall be returned upon request. All rights reserved.

Date	Rev	Record	Auth	ECN #	Reference
06/21/95	1	Add Mounting Holes	MCM		1295004 Rev B 10XA-Series Emitter Dimensions
10/31/95	2	Add Mounting Hole Tolerances	MCM		1295007 Rev A 10X-Series UT Emitter Dimensions
03/31/97	3	Update Border	MCM		1295015 Rev C 10X-Series Receiver Dimensions
06/30/97	4	Update Part Number	ML	47	
		No change to part			
05/06/98	5	Add Base Thickness Dimension	DH		
05/16/98	A	Add Alignment Hole	MCM		
03/13/00	B	Change to Bushing Connector	KVH	230	

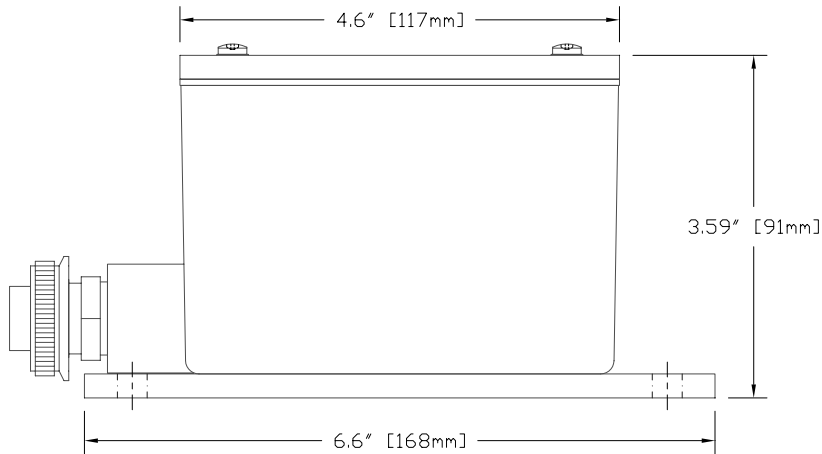
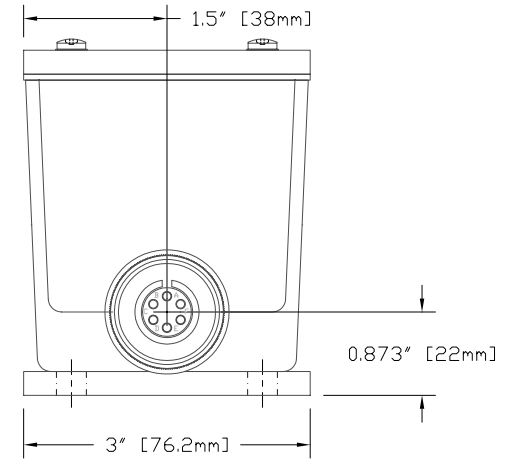
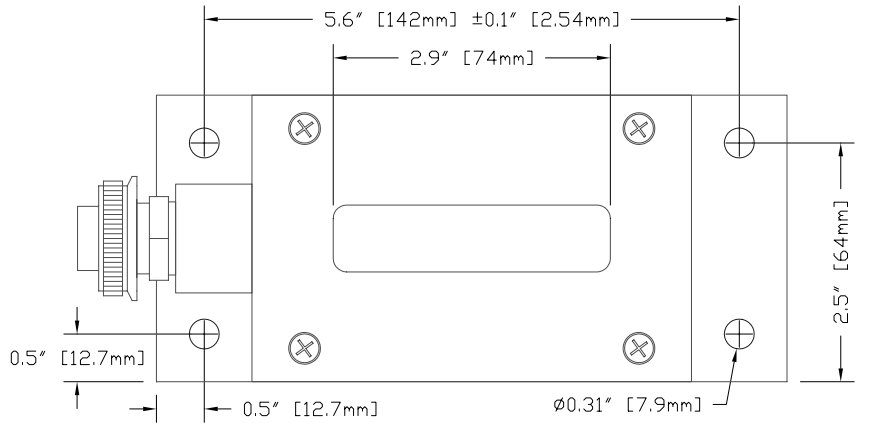


NOTE: LINEAR TOLERANCES ±0.010" [0.254MM] UNLESS NOTED. CUMULATIVE TOLERANCES NOT TO EXCEED 0.025" [0.625MM] UNLESS NOTED. HOLE TOLERANCES +0.010"/-0.000" [+0.025MM/-0MM] UNLESS NOTED. ANGULAR TOLERANCES NOT TO EXCEED 2° UNLESS NOTED.

<b>HARRIS INSTRUMENT Corporation</b> 155 Johnson Drive Delaware, Ohio 43015 U.S.A.						
Page 1/1	Size A	Scale 1:2	Drawn by MCM	Date 01/25/95	Approved by	Date
Part Revision B	DWG Revision 5	EVO # N/A	EPS # N/A	Standard Finish Blue Polane Paint	Assembly #	
Material				N/A		
Drawing Title				Old Drawing #		
Dimensions, 10XR-Series Sensor ULTRA-TOUGH Receiver				Drawing # 1295011		

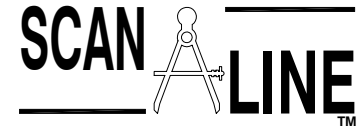
This drawing copyright 1997 by Harris Instrument Corp. This drawing contains information which is the proprietary property of Harris Instrument Corp. Copies may not be made or the contents disclosed beyond the expressed authorization of Harris Instrument Corp. This print shall be returned upon request. All rights reserved.

Date	Rev	Record	Auth	ECN #	Reference
03/26/95	1	Add Mounting Holes	MCM		1295004 Rev B 10XA-Series Emitter Dimensions
10/31/95	2	Add Mounting Hole Tolerances	MCM		1295007 Rev A 10X-Series UT Emitter Dims
03/31/97	3	Update Border	MCM		1295011 Rev B 10X-Series UT Receiver Dims
06/30/97	4	Update Part Number	ML	47	1298141 Rev A 10XBR-Series Emitter Dims
----	-	No change to part	--		
05/13/98	A	Change Bezel Window and	MCM		
----	-	Add Alignment Screw	--		
08/09/99	B	Change Bezel Screws	MCM		
03/17/00	C	Change to Bushing Connector	KVH	230	



NOTE: LINEAR TOLERANCES  $\pm 0.010"$  [0.254MM] UNLESS NOTED. CUMULATIVE TOLERANCES NOT TO EXCEED 0.025" [0.625MM] UNLESS NOTED. HOLE TOLERANCES  $+0.010"/-0.000"$  [+0.025MM/-0MM] UNLESS NOTED. ANGULAR TOLERANCES NOT TO EXCEED 2° UNLESS NOTED.

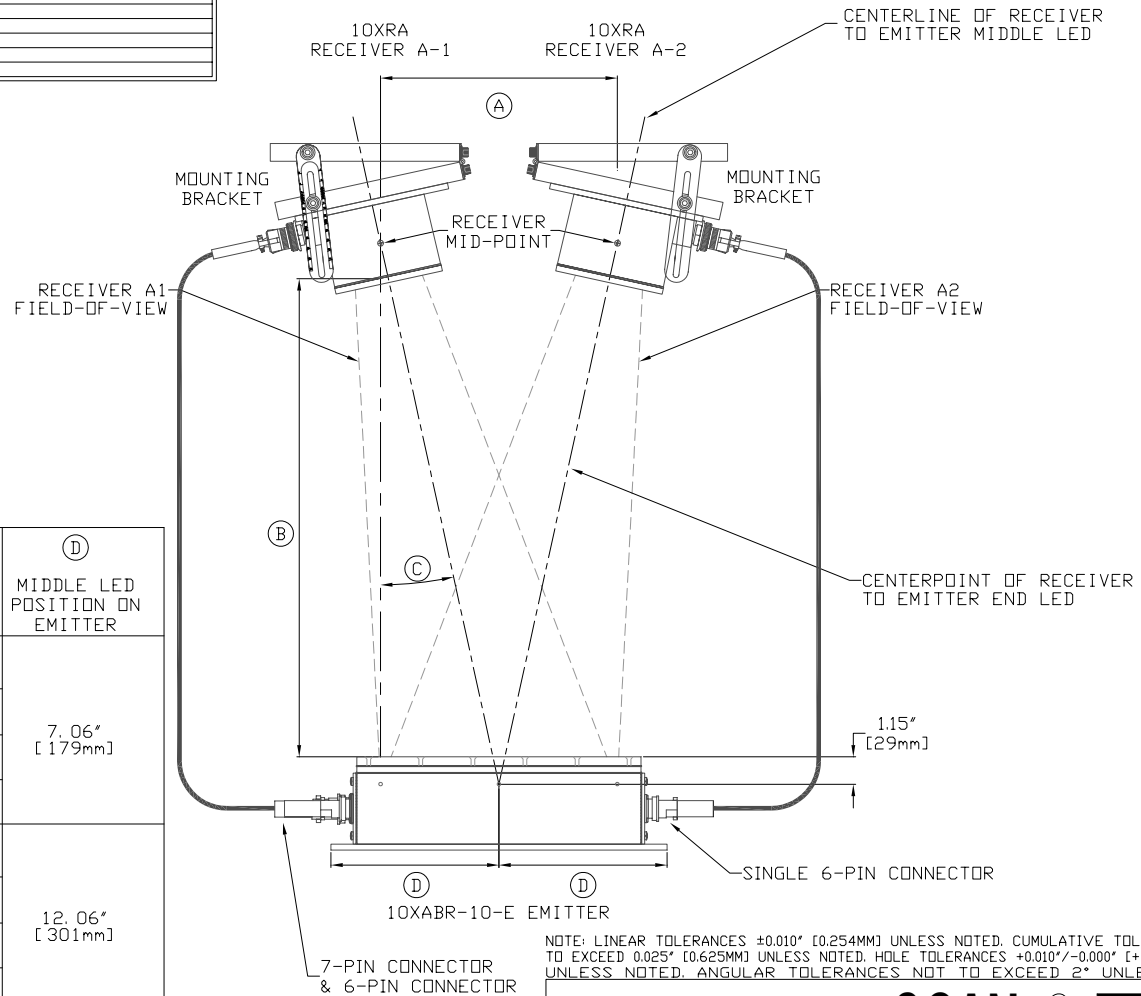
HARRIS  
INSTRUMENT  
Corporation  
155 Johnson Drive  
Delaware, Ohio 43015 U.S.A.



Page 1/1	Size A	Scale 1:2	Drawn by MCM	Date 01/24/95	Approved by	Date
Part Revision C	DWG Revision 4	EVD # N/A	EPS # N/A	Standard Finish Black Polane Paint	Assembly # N/A	Old Drawing # CA95015
Drawing Title Dimensions, 10X-Series Sensor Receiver				Drawing # 1295015		

This drawing copyright 1997 by Harris Instrument Corp. This drawing contains information which is the proprietary property of Harris Instrument Corp. Copies may not be made or the contents disclosed beyond the expressed authorization of Harris Instrument Corp. This print shall be returned upon request. All rights reserved.

Date	Rev	Record	Auth	ECN #	Reference
04/23/97	1	Update Border/Part #	ML	47	1295004 Rev B 10XA Emitter Dimensions
08/09/98	2	Update to New Logo Tag	MCM		1295015 Rev D 10XRA Receiver Dimensions
09/02/99	A	Update for new F-R separation	MCM		1495273 Rev C Pg 2 10XBR UT Install Specs
03/16/00	B	Change to Bushing Connector	KVH	230	



MODEL 10XABR INSTALLATION SPECIFICATIONS

SENSOR SIZE	(A) RECEIVER-TO-RECEIVER SEPARATION	(B) EMITTER FACE-TO-RECEIVER FACE SEPARATION	(C) RECEIVER TILT ANGLE	(D) MIDDLE LED POSITION ON EMITTER
10XABR-10	10' [254mm]	15' [381mm] MINIMUM	15.5° @ MINIMUM	7.06' [179mm]
		20' [508mm] RECOMMENDED	12° @ RECOMMENDED	
		70' [1778mm] OPTIONAL	4° @ OPTIONAL	
		72' [1829mm] MAXIMUM	3.5° @ MAXIMUM	
10XABR-20	20' [508mm]	30' [762mm] MINIMUM	16.5° @ MINIMUM	12.06' [301mm]
		40' [1016mm] RECOMMENDED	13° @ RECOMMENDED	
		70' [1778mm] OPTIONAL	7.5° @ OPTIONAL	
		72' [1829mm] MAXIMUM	7.5° @ MAXIMUM	
10XABR-30	30' [762mm]	45' [1143mm] MINIMUM	17.5° @ MINIMUM	17.06' [433mm]
		60' [1524mm] RECOMMENDED	13.5° @ RECOMMENDED	
		70' [1778mm] OPTIONAL	11.5° @ OPTIONAL	
		72' [1829mm] MAXIMUM	11° @ MAXIMUM	
10XABR-40	40' [1016mm]	60' [1524mm] MINIMUM	17.5° @ MINIMUM	22.06' [560mm]
		70' [1778mm] RECOMMENDED	15° @ RECOMMENDED	
		72' [1829mm] MAXIMUM	15° @ MAXIMUM	

NOTE: LINEAR TOLERANCES ±0.010" [0.254MM] UNLESS NOTED. CUMULATIVE TOLERANCES NOT TO EXCEED 0.025" [0.625MM] UNLESS NOTED. HOLE TOLERANCES +0.010"/-0.000" [+0.025MM/-0MM] UNLESS NOTED. ANGULAR TOLERANCES NOT TO EXCEED 2° UNLESS NOTED.

**HARRIS INSTRUMENT Corporation**  
155 Johnson Drive  
Delaware, Ohio 43015 U.S.A.

**SCAN LINE**

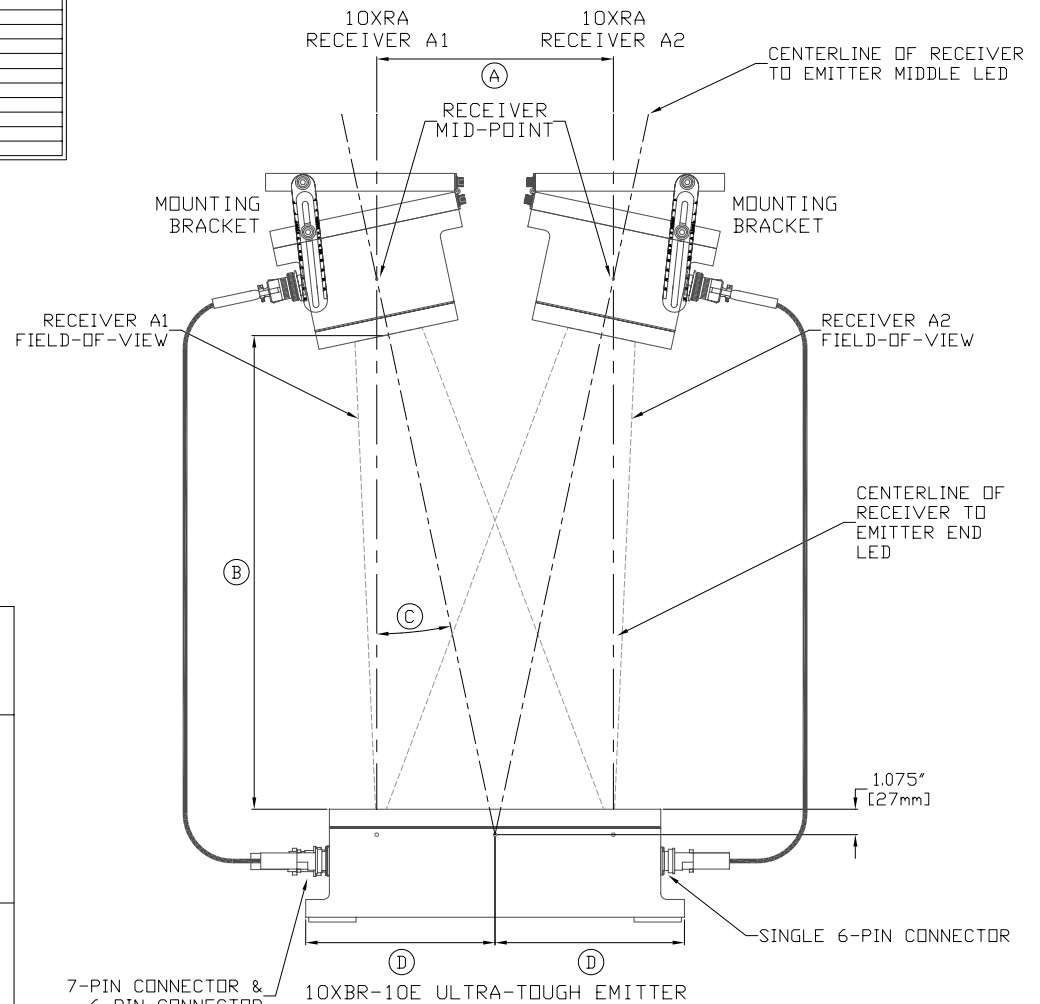
Page	Size	Scale	Drawn by	Date	Approved by	Date
1/2	A	1:8	MCM	12/08/95		
Part Revision	DWG Revision	EVO #	EPS #	Standard Finish		
B	2	N/A	N/A	N/A		
Material	Drawing Title			Old Drawing #		
	Typical 10XABR Sensor Installation Specifications			CA95273		
				Part #	1495273	

This drawing copyright 1997 by Harris Instrument Corp. This drawing contains information which is the proprietary property of Harris Instrument Corp. Copies may not be made or the contents disclosed beyond the expressed authorization of Harris Instrument Corp. This print shall be returned upon request. All rights reserved.

Date	Rev	Record	Auth	ECN #	Reference
04/23/97	1	Update Border/Part #	ML	47	1295004 Rev B 10XA Emitter Dimensions
08/09/98	2	Update to New Logo Tag	MCM		1295015 Rev C 10XRA Receiver Dimensions
09/02/99	A	Update for new F-R separation	MCM		1495273 Rev B Pg 1 10XBR Install Specs
03/17/00	B	Change to Bushing Connector	KVH	230	

MODEL 10XBR INSTALLATION SPECIFICATIONS

SENSOR SIZE	(A) RECEIVER-TO-RECEIVER SEPARATION	(B) EMITTER FACE-TO-RECEIVER FACE SEPARATION	(C) RECEIVER TILT ANGLE	(D) MIDDLE LED POSITION ON EMITTER
10XBR-10	10' [254mm]	15' [381mm] MINIMUM	15° @ MINIMUM	7.06' [179mm]
		20' [508mm] RECOMMENDED	12° @ RECOMMENDED	
		70' [1778mm] OPTIONAL	3.5° @ OPTIONAL	
		72' [1829mm] MAXIMUM	3.5° @ MAXIMUM	
10XBR-20	20' [508mm]	30' [762mm] MINIMUM	16.5° @ MINIMUM	12.06' [301mm]
		40' [1016mm] RECOMMENDED	12.5° @ RECOMMENDED	
		70' [1778mm] OPTIONAL	7.5° @ OPTIONAL	
		72' [1829mm] MAXIMUM	7.5° @ MAXIMUM	
10XBR-30	30' [762mm]	45' [1143mm] MINIMUM	17° @ MINIMUM	17.06' [433mm]
		60' [1524mm] RECOMMENDED	13° @ RECOMMENDED	
		70' [1778mm] OPTIONAL	11.5° @ OPTIONAL	
		72' [1829mm] MAXIMUM	11.5° @ MAXIMUM	
10XBR-40	40' [1016mm]	60' [1524mm] MINIMUM	17° @ MINIMUM	22.06' [560mm]
		70' [1778mm] RECOMMENDED	15° @ RECOMMENDED	
		72' [1829mm] MAXIMUM	14.5° @ MAXIMUM	



NOTE: LINEAR TOLERANCES  $\pm 0.010"$  [0.254MM] UNLESS NOTED. CUMULATIVE TOLERANCES NOT TO EXCEED 0.025" [0.625MM] UNLESS NOTED. HOLE TOLERANCES  $+0.010"/-0.000"$  [+0.025MM/-0MM] UNLESS NOTED. ANGULAR TOLERANCES NOT TO EXCEED 2° UNLESS NOTED.

**HARRIS INSTRUMENT Corporation**  
155 Johnson Drive  
Delaware, Ohio 43015 U.S.A.

**SCAN LINE**  
TM

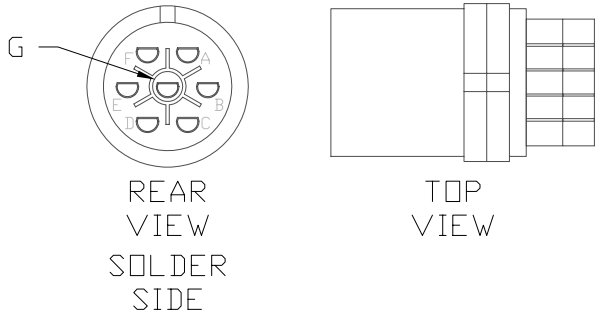
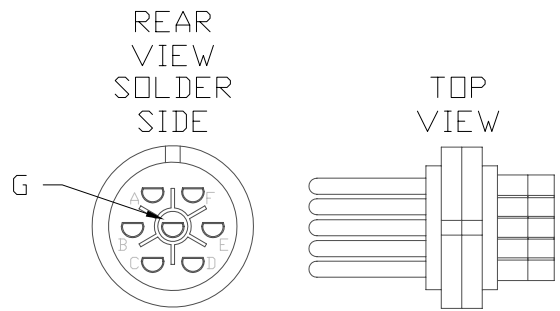
Page	Size	Scale	Drawn by	Date	Approved by	Date
2/2	A	1:8	MCM	12/08/95		
Part Revision	DWG Revision	EVO #	EPS #	Standard Finish		
B	2	N/A	N/A	N/A		
Material	Drawing Title			Assembly #		
	Typical 10XBR ULTRA-TOUGH Sensor Installation Specifications			N/A		
				Old Drawing #		
				CA95273		
				Part #		
				1495273		

This drawing copyright 1997 by Harris Instrument Corp. This drawing contains information which is the proprietary property of Harris Instrument Corp. Copies may not be made or the contents disclosed beyond the expressed authorization of Harris Instrument Corp. This print shall be returned upon request. All rights reserved.

Date	Rev	Record	Auth	ECN #	Reference
03/09/95	1	CAD Conversion	DH		3495104 Rev A 10X-Series Receiver Cable
01/19/96	A	Change Genders	BB		3495101 10X-Series Sealed Emitter-PU Cable
04/01/97	2	Update Border	MCM		3495109 Rev A 10X-Series Sealed Receiver Cable

EMITTER: 7-PIN SHELL INSERT (FEMALE)

PIN	COLOR	PAIR	FUNCTION
A	BLACK	B/W	DIGITAL COMMON
B	BLACK	B/R	-12 VOLTS DC
C	RED	B/R	+12 VOLTS DC
D	WHITE	B/W	SYNC
E	BLACK	B/G	SIGNAL COMMON
F	GREEN	B/G	VIDEO
G	GREY	SHIELDS	SHIELD (EARTH)



PROCESSING UNIT: 7-PIN SHELL INSERT (MALE)

PIN	COLOR	PAIR	FUNCTION
A	BLACK	B/W	DIGITAL COMMON
B	BLACK	B/R	-12 VOLTS DC
C	RED	B/R	+12 VOLTS DC
D	WHITE	B/W	SYNC
E	BLACK	B/G	SIGNAL COMMON
F	GREEN	B/G	VIDEO
G	GREY	SHIELDS	SHIELD (EARTH)

CIRCULAR PLUG: 97-3106A-16S-1P 7-PIN MALE WITH 97-3057-8 STRAIN RELIEF AMPHENOL OR EQUIVELANT.

CIRCULAR SOCKET: 97-3106A-16S-1S 7-PIN FEMALE WITH 97-3057-8 STRAIN RELIEF AMPHENOL OR EQUIVELANT.

LENGTH: STANDARD=20', 50' MAXIMUM

NOTE: LINEAR TOLERANCES ±0.010" (0.254MM) UNLESS NOTED. CUMULATIVE TOLERANCES NOT TO EXCEED 0.025" (0.625MM) UNLESS NOTED. HOLE TOLERANCES +0.010"/-0.000" (+0.025MM/-0MM) UNLESS NOTED. ANGULAR TOLERANCES NOT TO EXCEED 2° UNLESS NOTED.

HARRIS INSTRUMENT Corporation  
155 Johnson Drive  
Delaware, Ohio 43015 U.S.A.



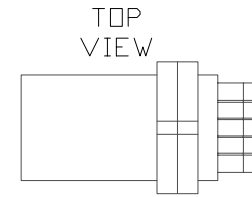
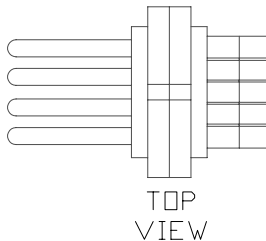
Page	Size	Scale	Drawn by	Date	Approved by	Date
1/1	A	N/A	DH	11/15/86	DH	03/09/95
Part Revision	DWG Revision	EVO #	EPS #	Standard Finish		
A	2	N/A	N/A	N/A		
Material	Belden 8777 or equivalent			Assembly #	N/A	
Drawing Title	Cable, 10X-Series Emitter-to-Processing Unit: 7-pin Circular Plug to 7-pin Circular Socket			Old Drawing #	WA86060	
				Part #	3486060	

This drawing copyright 1998 by Harris Instrument Corp. This drawing contains information which is the proprietary property of Harris Instrument Corp. Copies may not be made or the contents disclosed beyond the expressed authorization of Harris Instrument Corp. This print shall be returned upon request. All rights reserved.

Date	Rev	Record	Auth	ECN #	Reference
08/29/95	A	Change Genders	SC		3486060 Rev A 10X-Series Emitter-PU Cable
01/19/96	1	Add Graphics	MCM		3495101 10X-Series Sealed Emitter-PU Cable
04/01/97	2	Update Border	MCM		3495109 Rev A 10X-Series Seal Receiver Cable
07/01/97	3	Update Part Number	ML	47	

PIN	COLOR	PAIR	FUNCTION
A	WHITE & BLACK	B/W	COMMON
B	BLACK	B/R	-12 VOLTS DC
C	RED	B/R	+12 VOLTS DC
D	GREY	SHIELDS	SHIELD
E	BLACK	B/G	SIGNAL COMMON
F	GREEN	B/G	ANALOG COMMON

EMITTER 6-PIN PLUG SHELL INSERT (MALE)



INLINE: 6-PIN INLINE SOCKET INSERT (FEMALE)

PIN	COLOR	PAIR	FUNCTION
A	WHITE & BLACK	B/W	COMMON
B	BLACK	B/R	-12 VOLTS DC
C	RED	B/R	+12 VOLTS DC
D	GREY	SHIELDS	SHIELD
E	BLACK	B/G	SIGNAL COMMON
F	GREEN	B/G	ANALOG COMMON

NOTE: ALL SHIELD TIE TOGETHER

CIRCULAR CONNECTOR: 97-3106A-14S-1P 6-PIN MALE  
WITH 97-3057-6 STRAIN RELIEF  
AMPHENOL OR EQUIVELANT.

INLINE CIRCULAR CONNECTOR: 97-3101A-14S 6-PIN FEMALE  
WITH 97-3057-6 STRAIN RELIEF  
AMPHENOL OR EQUIVELANT.

LENGTH: 15' STANDARD = 3400115  
20' = 3400120  
50' MAXIMUM = 3400150

NOTE: LINEAR TOLERANCES  $\pm 0.010"$  (0.254MM) UNLESS NOTED. CUMULATIVE TOLERANCES NOT TO EXCEED 0.025" (0.625MM) UNLESS NOTED. HOLE TOLERANCES  $+0.010"/-0.000"$  (+0.025MM/-0MM) UNLESS NOTED. ANGULAR TOLERANCES NOT TO EXCEED 2° UNLESS NOTED.

HARRIS INSTRUMENT Corporation  
155 Johnson Drive  
Delaware, Ohio 43015 U.S.A.

Page	Size	Scale	Drawn by	Date	Approved by	Date
1/1	A	N/A	MCM	08/18/95		
Part Revision	DWG Revision	EVO #	EPS #	Standard Finish		
A	3	N/A	N/A	N/A		
Material	Assembly #					
Belden 8777 or equivalent	N/A					
Drawing Title	Old Drawing #					
10X-Series Receiver Cable: 6-pin Circular Plug to 6-pin Inline Circular Socket	WA95104A					
	Part #					
	3495104					

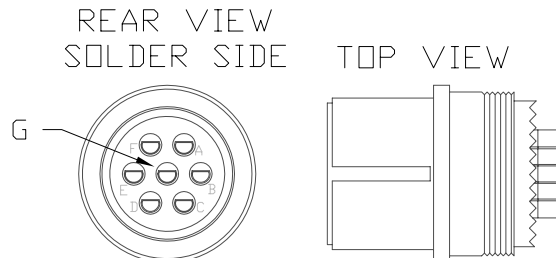
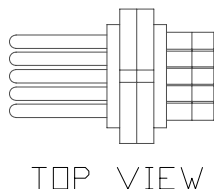
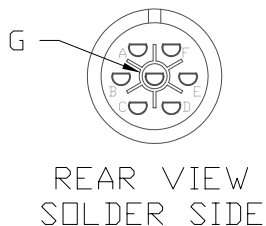
This drawing copyright 1997 by Harris Instrument Corp. This drawing contains information which is the proprietary property of Harris Instrument Corp. Copies may not be made or the contents disclosed beyond the expressed authorization of Harris Instrument Corp. This print shall be returned upon request. All rights reserved.



Date	Rev	Record	Auth	ECN #	Reference
10/08/96	1	Add Graphics	MCM		3486060 Rev A 10X-Series Emitter-PU Cable
02/06/97	2	Fix Connector Text Error	BB		3495104 Rev A 10X-Series Receiver Cable
04/01/97	3	Update Border	MCM		3495109 Rev A 10X-Series Sealed Receiver Cable
07/01/97	4	Update Part Number	ML	47	

PROCESSING UNIT: 7-PIN PLUG SHELL INSERT (MALE)

PIN	COLOR	PAIR	FUNCTION
A	BLACK	B/W	DIGITAL COMMON
B	BLACK	B/R	-12 VOLTS DC
C	RED	B/R	+12 VOLTS DC
D	WHITE	B/W	SYNC
E	BLACK	B/G	SIGNAL COMMON
F	GREEN	B/G	VIDEO
G	GREY	SHIELDS	SHIELD (EARTH)



EMITTER: 7-PIN SEALED SOCKET SHELL INSERT (FEMALE)

PIN	COLOR	PAIR	FUNCTION
A	BLACK	B/W	DIGITAL COMMON
B	BLACK	B/R	-12 VOLTS DC
C	RED	B/R	+12 VOLTS DC
D	WHITE	B/W	SYNC
E	BLACK	B/G	SIGNAL COMMON
F	GREEN	B/G	VIDEO
G	GREY	SHIELDS	SHIELD (EARTH)

NOTE: THIS CABLE ALSO USED FOR THE SHD-200 EMITTER-TO-RECEIVER CABLE.

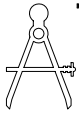
NOTE: LINEAR TOLERANCES  $\pm 0.010"$  (0.254MM) UNLESS NOTED. CUMULATIVE TOLERANCES NOT TO EXCEED 0.025" (0.625MM) UNLESS NOTED. HOLE TOLERANCES  $+0.010"/-0.000"$  (+0.025MM/-0MM) UNLESS NOTED. ANGULAR TOLERANCES NOT TO EXCEED 2° UNLESS NOTED.

CIRCULAR PLUG: 97-3106A-16S-1P 7-PIN MALE WITH 97-3057-8 STRAIN RELIEF AMPHENOL OR EQUIVELANT.

CIRCULAR SOCKET: MS3106E16S-1S 7-PIN SEALED FEMALE WITH BUILT-IN STRAIN RELIEF AMPHENOL OR EQUIVELANT.

LENGTH: 20' STANDARD = 3400420  
 30' = 3400430  
 45' = 3400445  
 50' MAXIMUM = 3400450

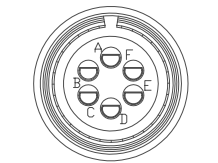
This drawing copyright 1997 by Harris Instrument Corp. This drawing contains information which is the proprietary property of Harris Instrument Corp. Copies may not be made or the contents disclosed beyond the expressed authorization of Harris Instrument Corp. This print shall be returned upon request. All rights reserved.

<b>HARRIS</b> INSTRUMENT Corporation 155 Johnson Drive Delaware, Ohio 43015 U.S.A.		<b>SCAN</b>  <b>LINE</b> <small>TM</small>				
Page 1/1	Size A	Scale N/A	Drawn by MCM	Date 06/13/95	Approved by	Date
Part Revision	DWG Revision 4	EVO # N/A	EPS # N/A	Standard Finish N/A	Assembly # N/A	Old Drawing # WA95101
Material Belden 8777 or equivalent				Drawing Title Cable, 10X-Series Watertight Emitter-to-Processing Unit: 7-pin Circular Plug to 7-pin Sealed Circular Socket		
						Part # <b>3495101</b>

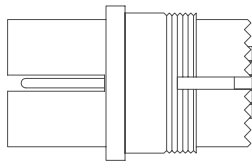
Date	Rev	Record	Auth	ECN #	Reference
08/30/95	A	Change Genders	SC		3486060 Rev A 10X-Series Emitter-PU Cable
04/01/97	1	Update Border	MCM		3495101 10X-Series Sealed Emitter-PU Cable
07/01/97	2	Update Part Number	ML	47	3495104 Rev A 10X-Series Receiver Cable

PIN	COLOR	PAIR	FUNCTION
A	WHITE & BLACK	B/W	COMMON
B	BLACK	B/R	-12 VOLTS DC
C	RED	B/R	+12 VOLTS DC
D	GREY	SHIELDS	SHIELD
E	BLACK	B/G	SIGNAL COMMON
F	GREEN	B/G	ANALOG COMMON

EMITTER: 6-PIN SEALED PLUG SHELL INSERT (MALE)

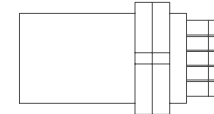


REAR VIEW  
SOLDER SIDE



TOP VIEW

REAR VIEW  
SOLDER SIDE      TOP VIEW



INLINE: 6-PIN INLINE SOCKET SHELL INSERT (FEMALE)

PIN	COLOR	PAIR	FUNCTION
A	WHITE & BLACK	B/W	COMMON
B	BLACK	B/R	-12 VOLTS DC
C	RED	B/R	+12 VOLTS DC
D	GREY	SHIELDS	SHIELD
E	BLACK	B/G	SIGNAL COMMON
F	GREEN	B/G	ANALOG COMMON


NOTE: ALL SHIELD TIE TOGETHER

CIRCULAR CONNECTOR: MS-3106E-14S-6P 6-PIN MALE SEALED  
WITH 97-3057-6 STRAIN RELIEF

INLINE CIRCULAR CONNECTOR: 97-3101A-14S 6-PIN FEMALE  
WITH 97-3057-6 STRAIN RELIEF

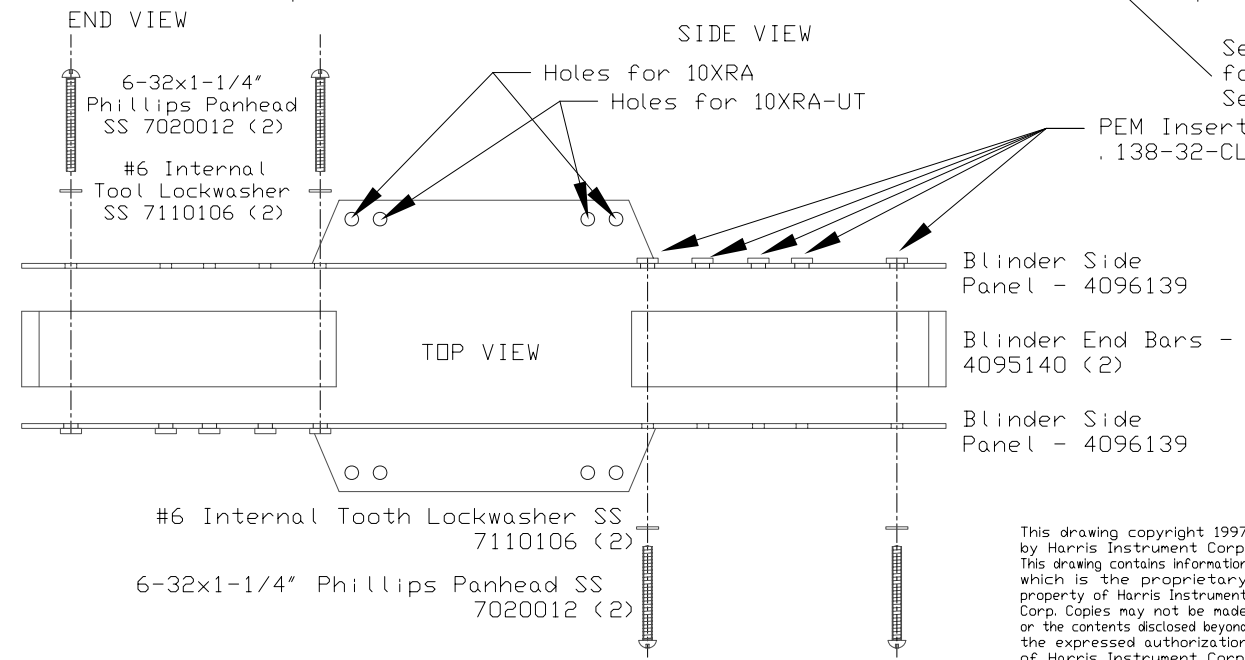
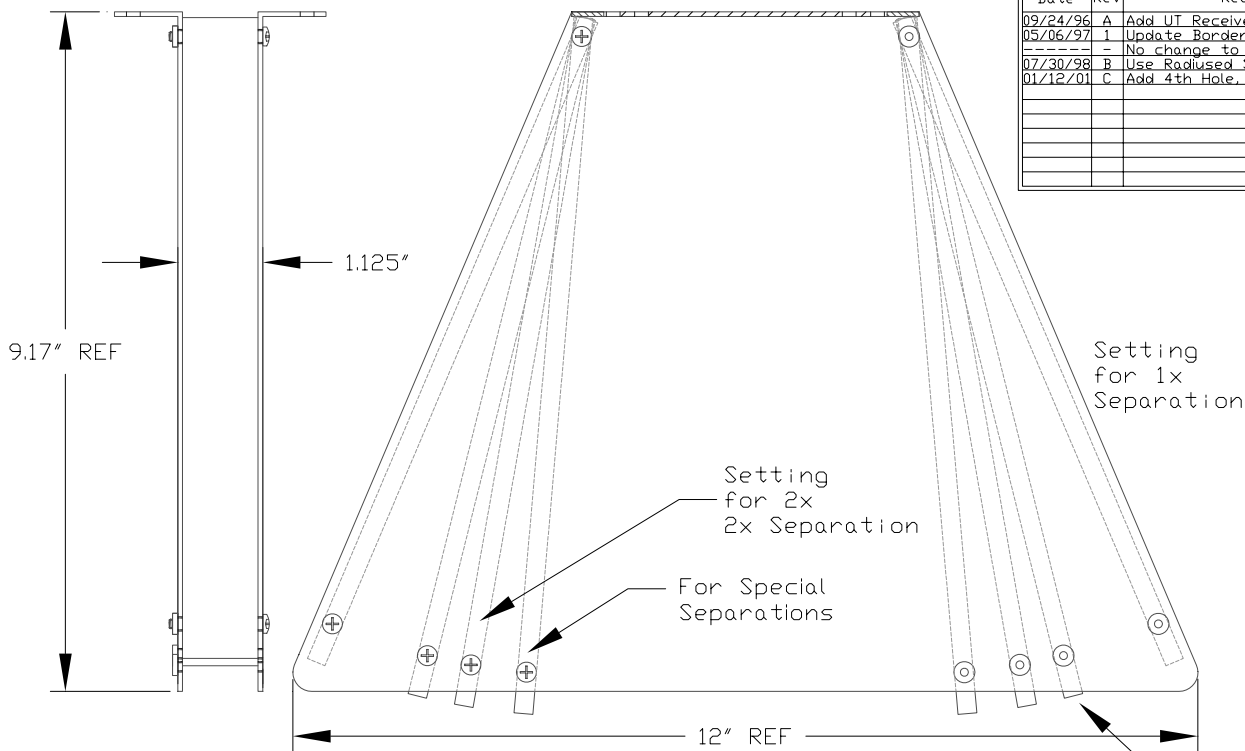
LENGTH: 15' STANDARD = 3400315  
20' = 3400320  
50' MAXIMUM = 3400350

NOTE: LINEAR TOLERANCES ±0.010" (0.254MM) UNLESS NOTED. CUMULATIVE TOLERANCES NOT TO EXCEED 0.025" (0.625MM) UNLESS NOTED. HOLE TOLERANCES +0.010"/-0.000" (+0.025MM/-0MM) UNLESS NOTED. ANGULAR TOLERANCES NOT TO EXCEED 2° UNLESS NOTED.

<b>HARRIS</b> INSTRUMENT Corporation 155 Johnson Drive Delaware, Ohio 43015 U.S.A.		<b>SCAN</b>  <b>LINE</b> <small>TM</small>				
Page 1/1	Size A	Scale N/A	Drawn by MCM	Date 06/20/95	Approved by	Date
Part Revision A	DWG Revision 2	EVO # N/A	EPS # N/A	Standard Finish N/A	Assembly # N/A	Old Drawing # WA95109A
Material Belden 8777 or Equivalent				Drawing Title 10X-Series Receiver Cable: 6-pin Sealed Circular Plug to 6-pin Inline Circular Socket		Part # <b>3495109</b>

This drawing copyright 1997  
by Harris Instrument Corp.  
This drawing contains information  
which is the proprietary  
property of Harris Instrument  
Corp. Copies may not be made  
or the contents disclosed beyond  
the expressed authorization  
of Harris Instrument Corp.  
This print shall be returned  
upon request. All rights reserved.

Date	Rev	Record	Auth	CAR #	Reference
09/24/96	A	Add UT Receiver Mounting Holes	BB	33	4096140 Rev A Horn Blinder End Bars Layout
05/06/97	I	Update Border/Part #	ML	47	4096139 Rev C Horn Blinder Side Panel Layout
	-	No change to part			
07/30/98	B	Use Radiused Side Panel	ML	163	
01/12/01	C	Add 4th Hole, Change Foot	ML	258	



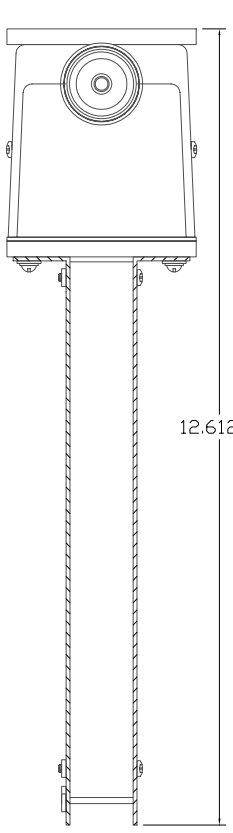
NOTE: LINEAR TOLERANCES  $\pm 0.010"$  (0.254MM) UNLESS NOTED. CUMULATIVE TOLERANCES NOT TO EXCEED 0.025" (0.625MM) UNLESS NOTED. HOLE TOLERANCES  $+0.010"/-0.000"$  (+0.25MM/-0MM) UNLESS NOTED. ANGULAR TOLERANCES NOT TO EXCEED 2° UNLESS NOTED.

<b>HARRIS INSTRUMENT Corporation</b> 155 Johnson Drive Delaware, Ohio 43015 U.S.A.						
Page 1/1	Size A	Scale 1:2.5	Drawn by MCM	Date 08/29/96	Approved by	Date
Part Revision C	DWG Revision 1	EVD # N/A	EPS # N/A	Standard Finish Black Anodized	Assembly # N/A	
Drawing Title Horn Blinder (HBLD Option) Unit Assembly				Old Drawing # AA96184A	Part # 4496184	

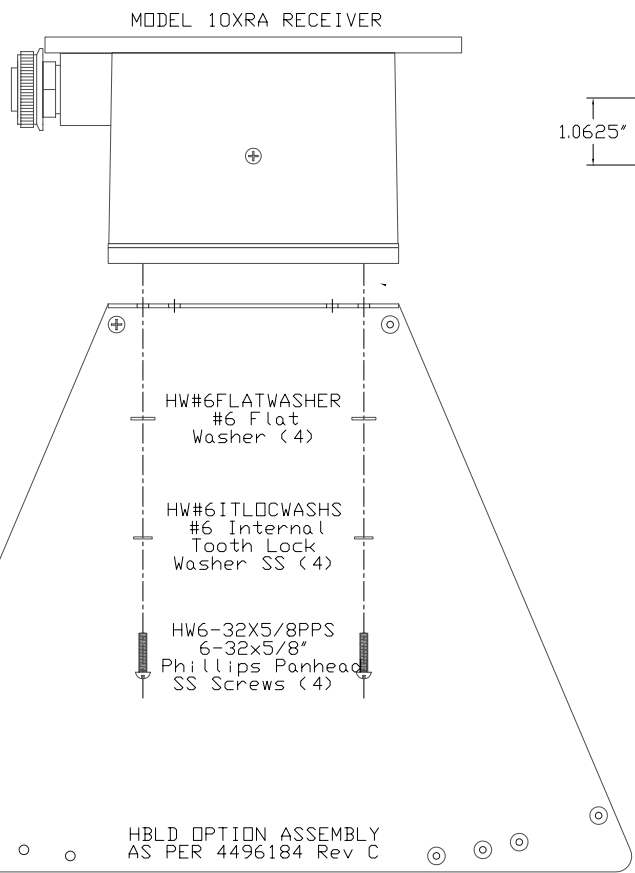
This drawing copyright 1997 by Harris Instrument Corp. This drawing contains information which is the proprietary property of Harris Instrument Corp. Copies may not be made or the contents disclosed beyond the expressed authorization of Harris Instrument Corp. This print shall be returned upon request. All rights reserved.

ASSEMBLY FOR ONE TIMES SEPARATION

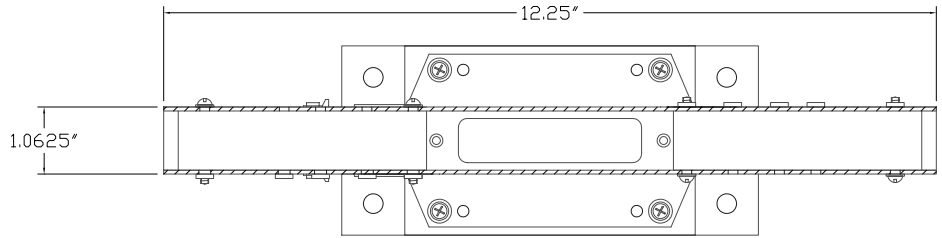
Date	Rev	Record	Auth	ECN #	Reference
05/06/97	1	Update Border/Part #	ML	47	4496184 Rev B HBLD Option Unit Assembly
	-	No change to part	--	--	4497089 Rev C 10XRA Receiver Assembly
10/22/98	A	Use Radiused Side Panel	MCM	163	
03/24/00	B	Change to Rec Bushing Connector	KVH	230	
10/23/03	C	Added 4th adj. hole	BLA		



FINISHED  
END VIEW



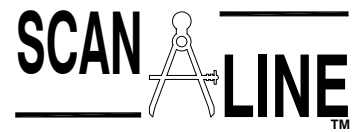
EXPLODED  
SIDE VIEW



FINISHED  
TOP VIEW

NOTE: LINEAR TOLERANCES  $\pm 0.010"$  [0.254MM] UNLESS NOTED. CUMULATIVE TOLERANCES NOT TO EXCEED 0.025" [0.625MM] UNLESS NOTED. HOLE TOLERANCES  $+0.010"/-0.000"$  [+0.025MM/-0MM] UNLESS NOTED. ANGULAR TOLERANCES NOT TO EXCEED 2° UNLESS NOTED.

HARRIS INSTRUMENT Corporation  
155 Johnson Drive  
Delaware, Ohio 43015 U.S.A.

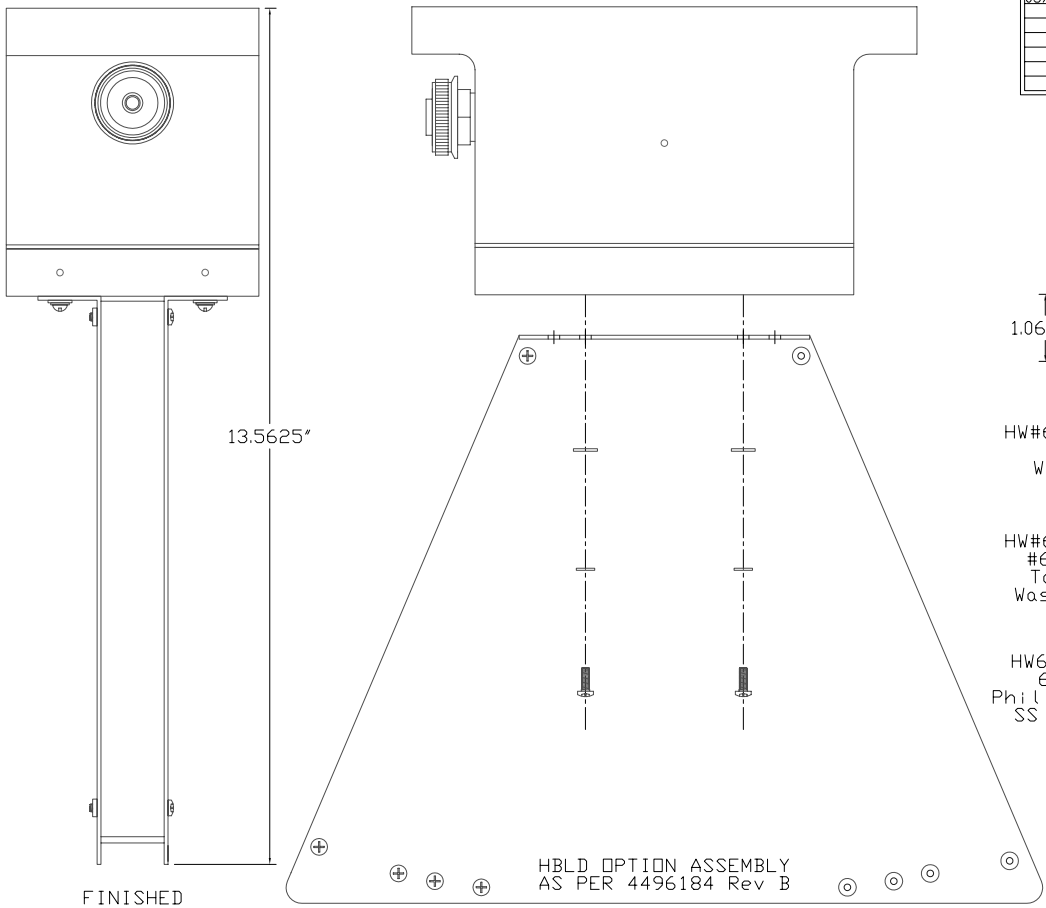


Page	Size	Scale	Drawn by	Date	Approved by	Date
1/1	A	1:3	MCM	02/19/97		
Part Revision		DWG Revision		EVO #	EPS #	Standard Finish
C		1		N/A	N/A	N/A
Material						Assembly #
						N/A
Drawing Title						Old Drawing #
Horn Blender (HBLD Option) Attachment to 10XRA Receiver						AA97015
						Part #
						4497015

This drawing copyright 1997 by Harris Instrument Corp. This drawing contains information which is the proprietary property of Harris Instrument Corp. Copies may not be made or the contents disclosed beyond the expressed authorization of Harris Instrument Corp. This print shall be returned upon request. All rights reserved.

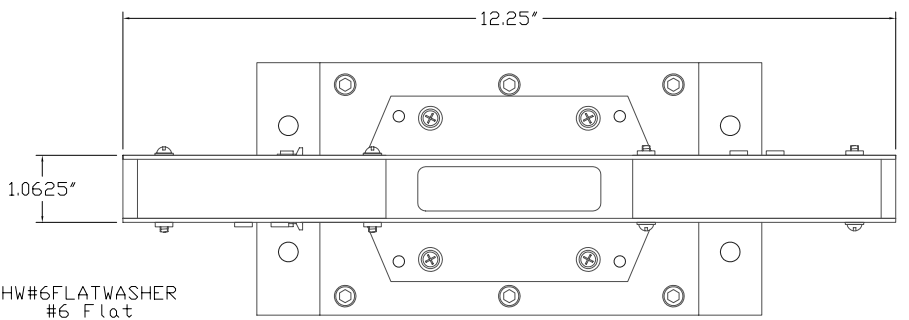
Date	Rev	Record	Auth	ECN #	Reference
03/24/97	A	Change Screw Length	BB		4496184 Rev B HBLD Option Unit Assembly
05/06/97	I	Update Border/Part #	ML	47	4495237 Rev C 10XRA-UT Unit Assembly
		No change to part			
10/22/98	B	Use Radiused Side Panel	MCM	163	
12/10/99	C	Add Bezel Mounting Hole Dims	MCM		
03/24/00	D	Change to Rec Bushing Connector	KVH	230	

MODEL 10XRA-UT RECEIVER



FINISHED  
END VIEW

EXPLODED  
SIDE VIEW

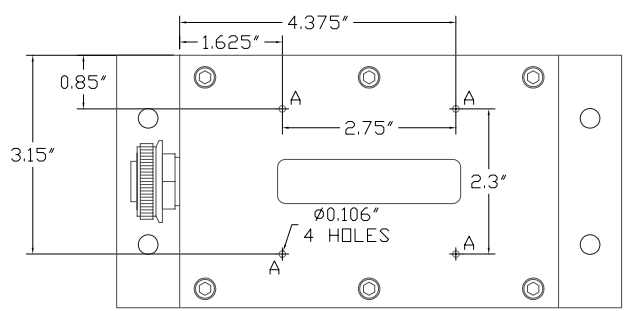


FINISHED  
TOP VIEW

HW#6FLATWASHER  
#6 Flat  
Washer (4)

HW#6ITLOCWASHS  
#6 Internal  
Tooth Lock  
Washer SS (4)

HW6-32X3/8PPS  
6-32x3/8"  
Phillips Panhead  
SS Screws (4)

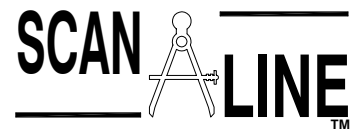


INSTALLATION TOP VIEW

HOLE A: DRILL #36 (0.106") 0.5" DEEP FROM TOP,  
BOTTOM TAP FOR 6-32 (FOR HORN BLINDER)

NOTE: LINEAR TOLERANCES ±0.010" (0.254MM) UNLESS NOTED. CUMULATIVE TOLERANCES NOT TO EXCEED 0.025" (0.625MM) UNLESS NOTED. HOLE TOLERANCES +0.010"/-0.000" (+0.025MM/-0MM) UNLESS NOTED. ANGULAR TOLERANCES NOT TO EXCEED 2° UNLESS NOTED.

HARRIS INSTRUMENT Corporation  
155 Johnson Drive  
Delaware, Ohio 43015 U.S.A.



This drawing copyright 1997 by Harris Instrument Corp. This drawing contains information which is the proprietary property of Harris Instrument Corp. Copies may not be made or the contents disclosed beyond the expressed authorization of Harris Instrument Corp. This print shall be returned upon request. All rights reserved.

Page	Size	Scale	Drawn by	Date	Approved by	Date			
1/1	A	1:3	MCM	02/19/97					
Part Revision	D	DWG Revision	1	EVO #	N/A	EPS #	N/A	Standard Finish	N/A
Material							Assembly #	N/A	
Drawing Title	Horn Blinder (HBLD Option) Attachment to 10XRA-UT Receiver						Old Drawing #	AA97016A	
							Part #	4497016	