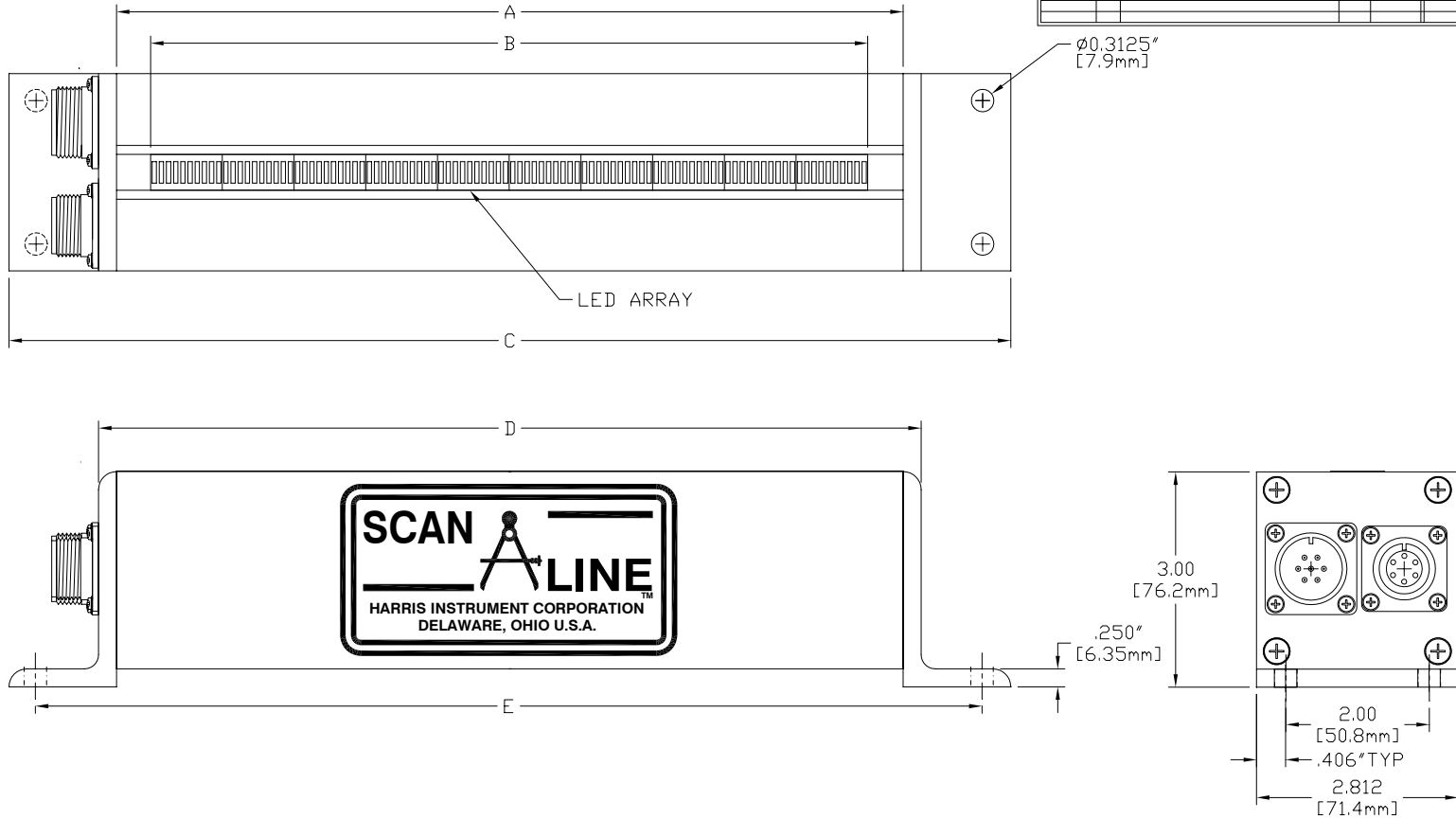


Date	Rev	Record	Auth	ECN #	Reference



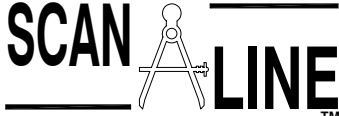
NOTE: THE FOLLOWING DIMENSIONS ARE VALID FOR:  
 10XAS-XXE-B,10XBR-XXE-B,10XHD-XXE-B,10XSHD-XXE-B.  
 XX=Emitter Scan Length.

10" Model		20" Model		30" Model	
A=11.00"	[ 279mm]	A=21.00"	[ 533mm]	A=31.00"	[ 787mm]
B=10.00"	[ 254mm]	B=20.00"	[ 508mm]	B=30.00"	[ 762mm]
C=14.06"	[ 358mm]	C=24.06"	[ 612mm]	C=34.06"	[ 865mm]
D=11.56"	[ 293mm]	D=21.56"	[ 547mm]	D=31.56"	[ 801mm]
E=13.20"	[ 335mm]	E=23.20"	[ 589mm]	E=33.20"	[ 843mm]

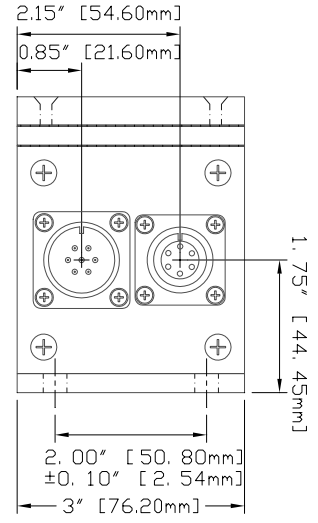
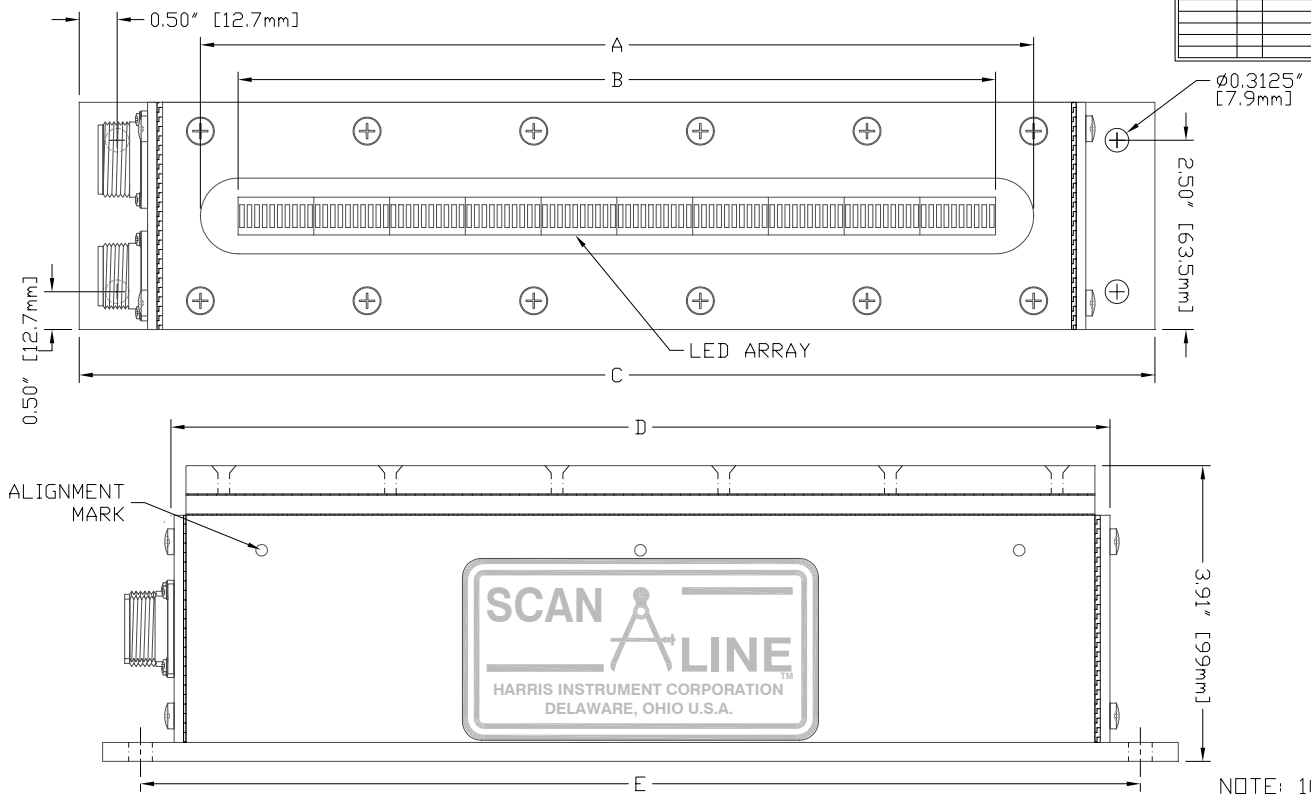
40" Model		50" Model		60" Model	
A=41.00"	[ 1041mm]	A=51.00"	[ 1295mm]	A=61.00"	[ 1550mm]
B=40.00"	[ 1016mm]	B=50.00"	[ 1270mm]	B=60.00"	[ 1524mm]
C=44.06"	[ 1120mm]	C=54.06"	[ 1373mm]	C=64.06"	[ 1627mm]
D=41.56"	[ 1056mm]	D=51.56"	[ 1310mm]	D=61.56"	[ 1564mm]
E=43.20"	[ 1097mm]	E=53.20"	[ 1351mm]	E=63.20"	[ 1605mm]

NOTE: LINEAR TOLERANCES ±0.010" [0.254MM] UNLESS NOTED. CUMULATIVE TOLERANCES NOT TO EXCEED 0.025" [0.625MM] UNLESS NOTED. HOLE TOLERANCES +0.010"/-0.000" [+0.025MM/-0MM] UNLESS NOTED. ANGULAR TOLERANCES NOT TO EXCEED 2° UNLESS NOTED.

<b>HARRIS INSTRUMENT Corporation</b> 155 Johnson Drive Delaware, Ohio 43015 U.S.A.						
Page 1/3	Size A	Scale 1:2.5	Drawn by BLA	Date 07/29/03	Approved by	Date
Part Revision N/A	DWG Revision N/A	EVO # N/A	EPS # N/A	Standard Finish Black Anodized		
Material				Assembly #		
Drawing Title Dimensions, B Style Emitter Housing				Old Drawing #		
				Drawing # 1203004		

This drawing copyright 1997 by Harris Instrument Corp. This drawing contains information which is the proprietary property of Harris Instrument Corp. Copies may not be made or the contents disclosed beyond the expressed authorization of Harris Instrument Corp. This print shall be returned upon request. All rights reserved.

Date	Rev	Record	Auth	ECN #	Reference
05/15/96	A	10XA Update	MCM		1295007 Rev A 10X-Series UI Emitter Dimensions
03/31/97	1	Update Border	MCM		1295011 Rev A 10X-Series UI Receiver Dimensions
06/24/97	2	Update Part #/Fix Wrong Dim	ML	47	1295015 Rev A 10X-Series Receiver Dimensions
		- No change to part	---		1296141 Rev A 10XBR-Series Emitter Dimensions
05/13/98	B	Change Bezel Window and	MCM		
		- Add Alignment Marks	---		



NOTE: 10XA-CR Emitters replace the Neoprene Gaskets with Teflon Joint Sealant between Bezel Mounting Plate, Bezel, Emitter Housing, Endcaps, and Amphenols. Teflon Joint Sealant Compound used on Baseplate and Circular Connector Mounting Screw Threads. Finish is Blue Polane Paint for -CR Sensors.

NOTE: THE FOLLOWING DIMENSIONS ARE VALID FOR: 10XAAS, 10XABR, 10XASH, & 10XAHD Emitter; ALSO 10XASH RECEIVERS.

10XA-10		10XA-20	
Dim. A=11.00" [279mm]	Dim. B=10.00" [254mm]	Dim. A=21.00" [533mm]	Dim. B=20.00" [508mm]
Dim. C=14.20" [361mm]	Dim. D=12.40" [315mm]	Dim. C=24.20" [615mm]	Dim. D=22.40" [569mm]
Dim. E=13.20" [335mm]	±0.10" [2.5mm]	Dim. E=23.20" [589mm]	±0.10" [2.5mm]

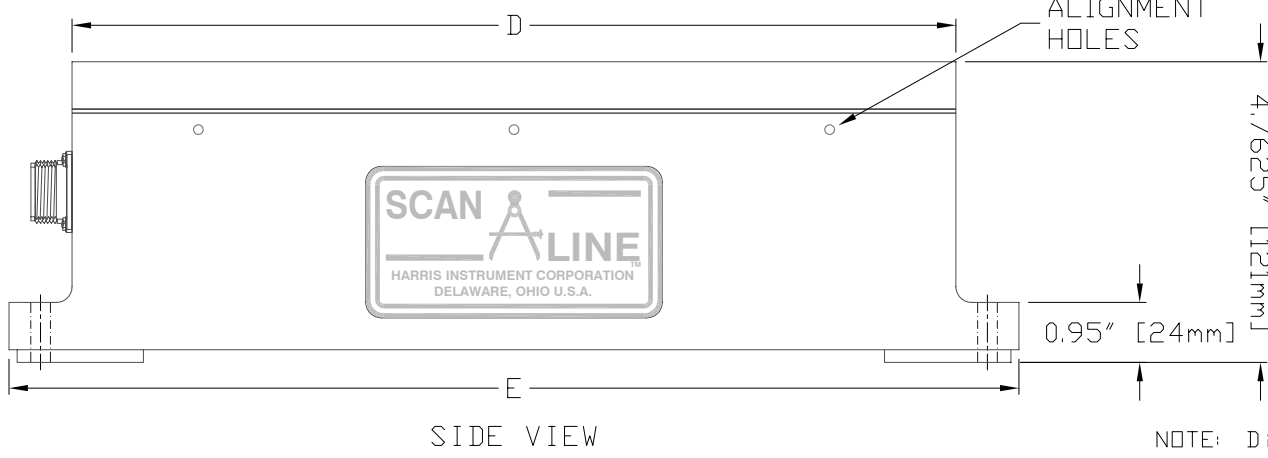
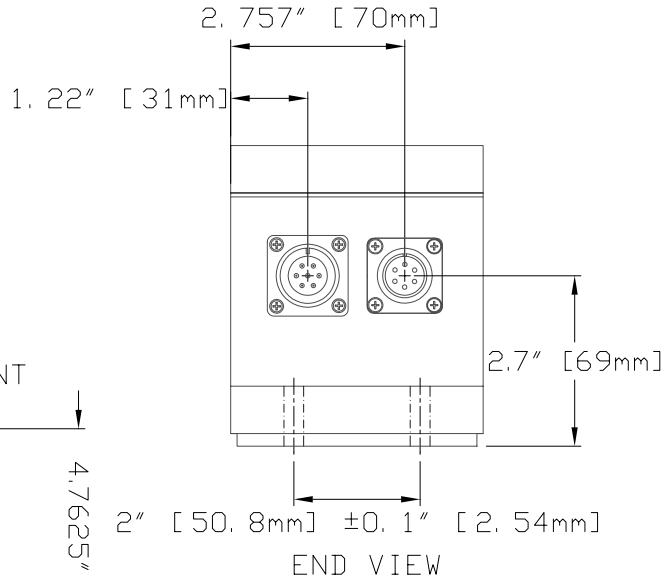
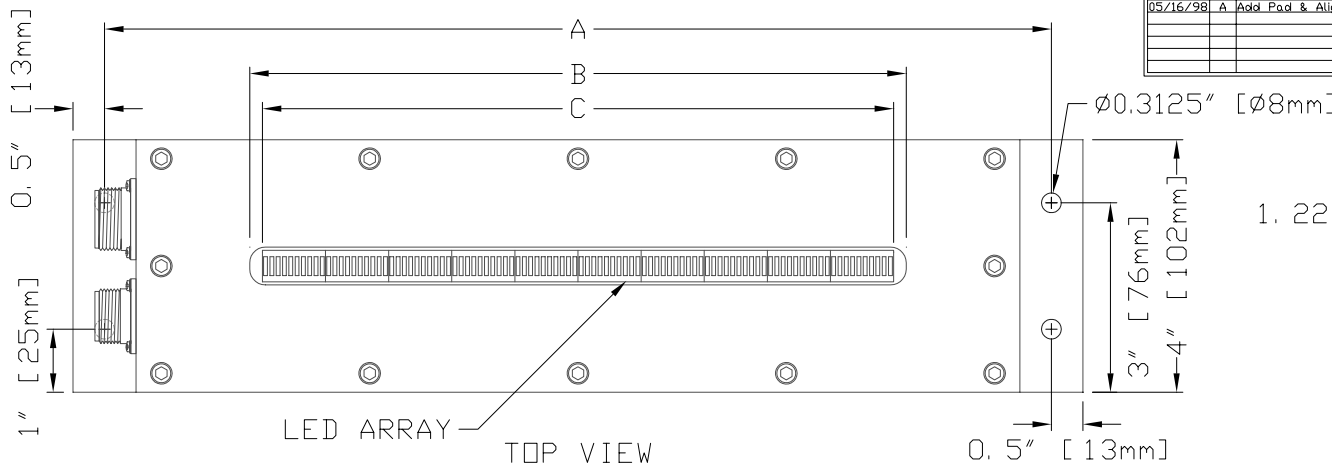
10XA-30		10XA-40	
Dim. A=31.00" [787mm]	Dim. B=30.00" [762mm]	Dim. A=41.00" [1041mm]	Dim. B=40.00" [1016mm]
Dim. C=34.20" [869mm]	Dim. D=32.40" [823mm]	Dim. C=44.20" [1123mm]	Dim. D=42.40" [1077mm]
Dim. E=33.20" [843mm]	±0.10" [2.5mm]	Dim. E=43.20" [1097mm]	±0.10" [2.5mm]

NOTE: LINEAR TOLERANCES ±0.010" [0.254MM] UNLESS NOTED. CUMULATIVE TOLERANCES NOT TO EXCEED 0.025" [0.625MM] UNLESS NOTED. HOLE TOLERANCES +0.010"/-0.000" [+0.025MM/-0MM] UNLESS NOTED. ANGULAR TOLERANCES NOT TO EXCEED 2° UNLESS NOTED.

<b>HARRIS INSTRUMENT Corporation</b> 155 Johnson Drive Delaware, Ohio 43015 U.S.A.						
Page 1/3	Size A	Scale 1:2.5	Drawn by MCM	Date 04/17/95	Approved by	Date
Part Revision B	DWG Revision 2	EVD # N/A	EPS # N/A	Standard Finish Black Anodized		
Material				Assembly # 4495004		
Drawing Title Dimensions, Model 10XA Sensor Emitter				Old Drawing # CA95004A		
				Drawing # 1295004		

This drawing copyright 1997 by Harris Instrument Corp. This drawing contains information which is the proprietary property of Harris Instrument Corp. Copies may not be made or the contents disclosed beyond the expressed authorization of Harris Instrument Corp. This print shall be returned upon request. All rights reserved.

Date	Rev	Record	Auth	ECN #	Reference
06/21/95	1	Add Mounting Holes	MCM		1295004 Rev. B 10XA-Series Emitter Dims
10/31/95	2	Add Mounting Hole Tolerances	MCM		1295011 Rev. A 10X-Series UT Receiver Dims
03/31/97	3	Update Border	MCM		1295015 Rev. A 10X-Series Receiver Dims
06/19/97	4	Update Part Number	ML	47	
		No change to part			
05/08/98	5	Add Base Thickness Dimension	DH		
05/16/98	A	Add Pad & Alignment Holes	MCM		



NOTE: Dimensions for 10X-UT Series Emitters and Model SHD-200 Emitters & Receivers.  
 NOTE: LINEAR TOLERANCES  $\pm 0.010"$  [0.254MM] UNLESS NOTED. CUMULATIVE TOLERANCES NOT TO EXCEED  $0.025"$  [0.625MM] UNLESS NOTED. HOLE TOLERANCES  $+0.010"/-0.000"$  [+0.025MM/-0MM] UNLESS NOTED. ANGULAR TOLERANCES NOT TO EXCEED 2° UNLESS NOTED.

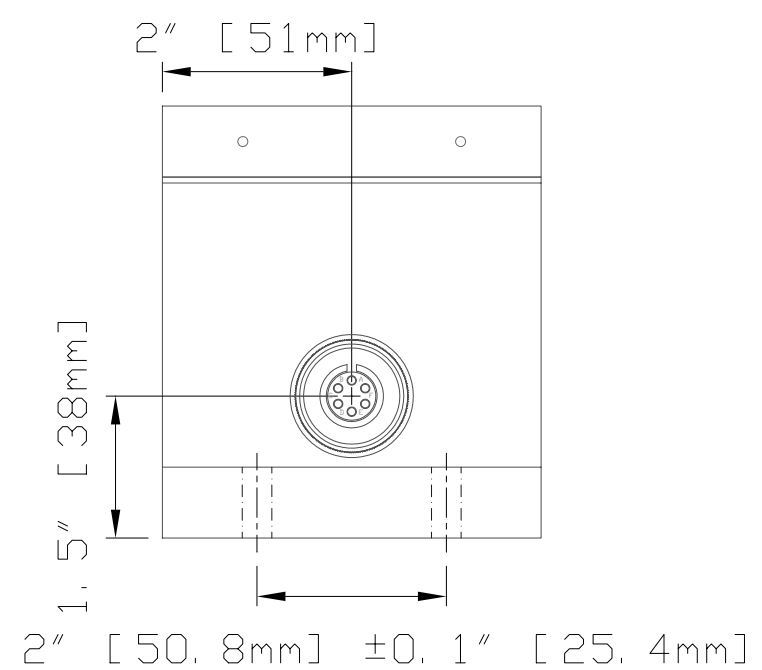
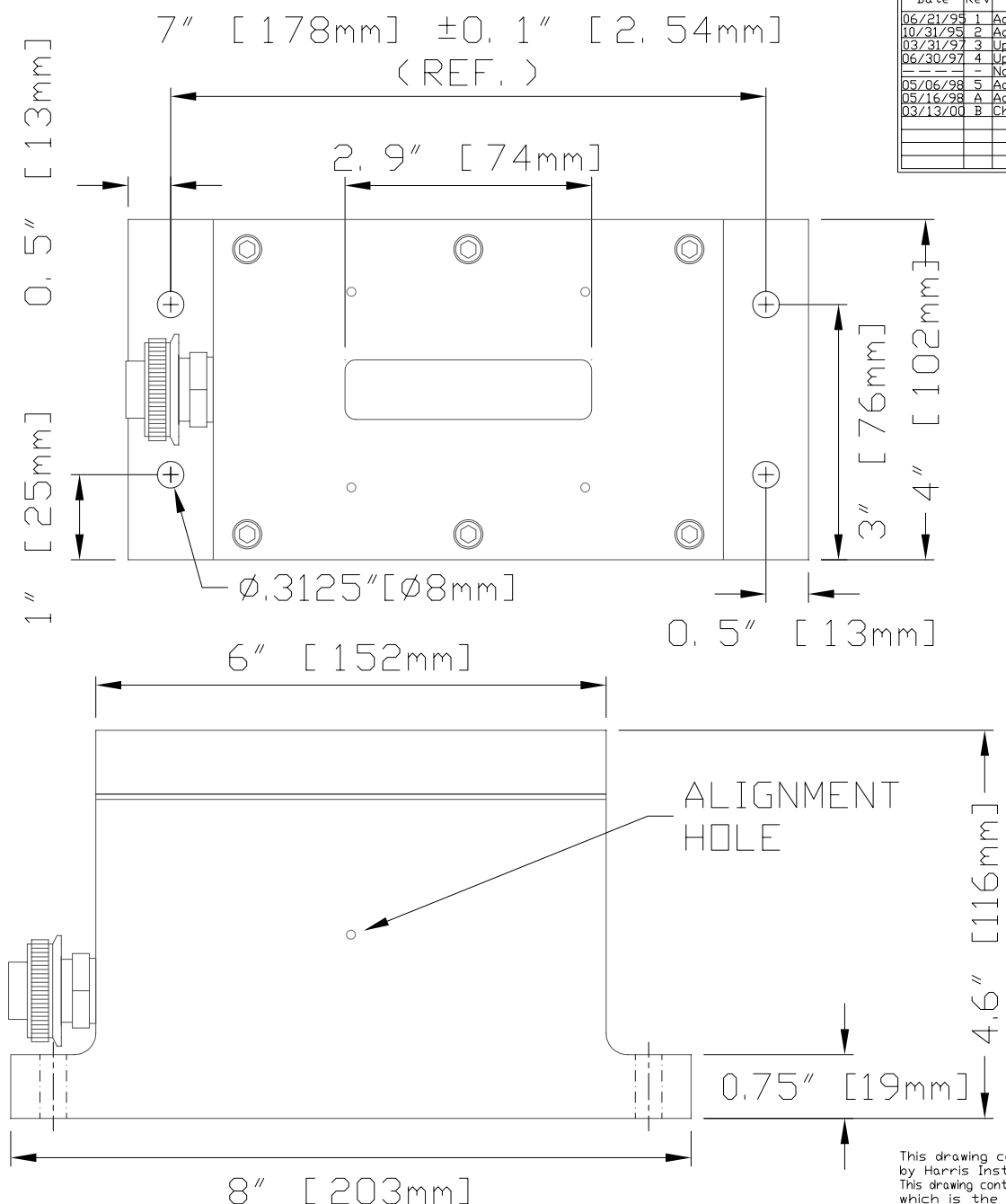
10X-10-UT		10X-30-UT	
Dim. A=15" [381mm]*	Dim. B=10.4" [264mm]	Dim. A=35" [889mm]*	Dim. B=30.4" [772mm]
Dim. C=10" [254mm]	Dim. D=14" [356mm]	Dim. C=30" [762mm]	Dim. D=34" [864mm]
Dim. E=16" [406mm]		Dim. E=36" [914mm]	
10X-20-UT		10X-40-UT	
Dim. A=25" [635mm]*	Dim. B=20.4" [518mm]	Dim. A=45" [1143mm]*	Dim. B=40.4" [1026mm]
Dim. C=20" [508mm]	Dim. D=24" [610mm]	Dim. C=40" [1016mm]	Dim. D=44" [1118mm]
Dim. E=26" [660mm]		Dim. E=46" [1168mm]	

\*=Reference Only.  $\pm 0.1"$  [2.54mm] Nominal.

This drawing copyright 1997 by Harris Instrument Corp. This drawing contains information which is the proprietary property of Harris Instrument Corp. Copies may not be made or the contents disclosed beyond the expressed authorization of Harris Instrument Corp. This print shall be returned upon request. All rights reserved.

<b>HARRIS INSTRUMENT Corporation</b> 155 Johnson Drive Delaware, Ohio 43015 U.S.A.						
Page 1/3	Size A	Scale 1:3	Drawn by MCM	Date 01/18/95	Approved by	Date
Part Revision A	DWG Revision 5	EVD # N/A	EPS # N/A	Standard Finish Blue Polane Paint		
Material				Assembly # N/A		
Drawing Title Dimensions, 10X-Series Sensor ULTRA-TOUGH Emitter				Old Drawing # CA95007		
				Drawing # 1295007		

Date	Rev	Record	Auth	ECN #	Reference
06/21/95	1	Add Mounting Holes	MCM		1295004 Rev B 10XA-Series Emitter Dimensions
10/31/95	2	Add Mounting Hole Tolerances	MCM		1295007 Rev A 10X-Series UT Emitter Dimensions
03/31/97	3	Update Border	MCM		1295015 Rev C 10X-Series Receiver Dimensions
06/30/97	4	Update Part Number	ML	47	
		No change to part			
05/06/98	5	Add Base Thickness Dimension	DH		
05/16/98	A	Add Alignment Hole	MCM		
03/13/00	B	Change to Bushing Connector	KVH	230	

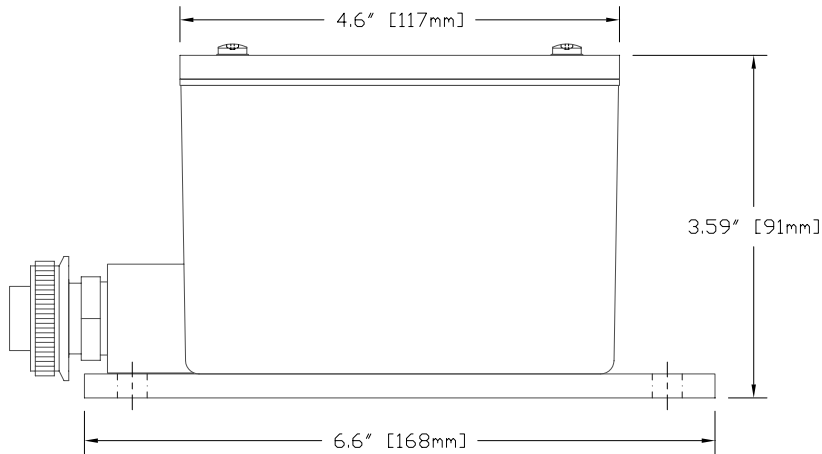
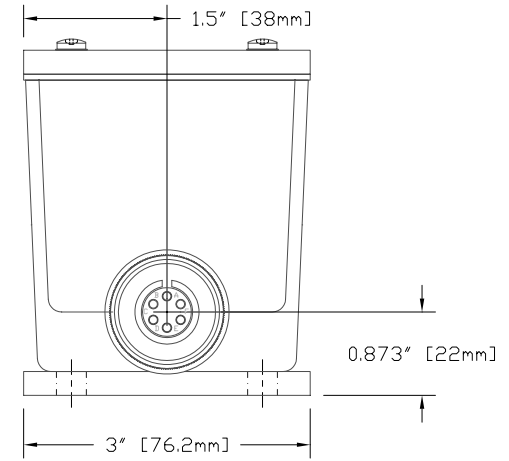
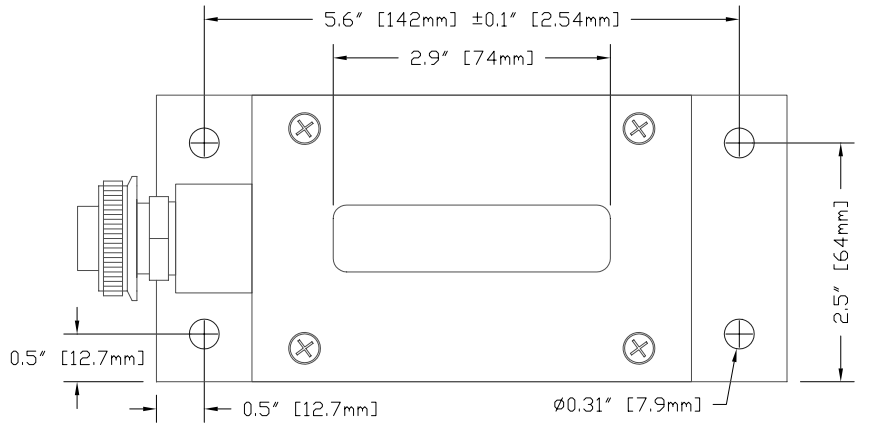


NOTE: LINEAR TOLERANCES ±0.010" [0.254MM] UNLESS NOTED. CUMULATIVE TOLERANCES NOT TO EXCEED 0.025" [0.625MM] UNLESS NOTED. HOLE TOLERANCES +0.010"/-0.000" [+0.025MM/-0MM] UNLESS NOTED. ANGULAR TOLERANCES NOT TO EXCEED 2° UNLESS NOTED.

<b>HARRIS INSTRUMENT Corporation</b> 155 Johnson Drive Delaware, Ohio 43015 U.S.A.						
Page 1/1	Size A	Scale 1:2	Drawn by MCM	Date 01/25/95	Approved by	Date
Part Revision B	DWG Revision 5	EVO # N/A	EPS # N/A	Standard Finish Blue Polane Paint		
Material				Assembly # N/A		
Drawing Title Dimensions, 10XR-Series Sensor ULTRA-TOUGH Receiver				Old Drawing # CA95011		
				Drawing # 1295011		

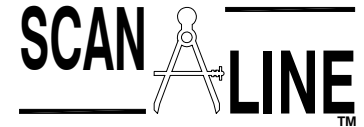
This drawing copyright 1997 by Harris Instrument Corp. This drawing contains information which is the proprietary property of Harris Instrument Corp. Copies may not be made or the contents disclosed beyond the expressed authorization of Harris Instrument Corp. This print shall be returned upon request. All rights reserved.

Date	Rev	Record	Auth	ECN #	Reference
03/26/95	1	Add Mounting Holes	MCM		1295004 Rev B 10XA-Series Emitter Dimensions
10/31/95	2	Add Mounting Hole Tolerances	MCM		1295007 Rev A 10X-Series UT Emitter Dims
03/31/97	3	Update Border	MCM		1295011 Rev B 10X-Series UT Receiver Dims
06/30/97	4	Update Part Number	ML	47	1298141 Rev A 10XBR-Series Emitter Dims
----	-	No change to part	--		
05/13/98	A	Change Bezel Window and	MCM		
----	-	Add Alignment Screw	--		
08/09/99	B	Change Bezel Screws	MCM		
03/17/00	C	Change to Bushing Connector	KVH	230	



NOTE: LINEAR TOLERANCES  $\pm 0.010''$  [0.254MM] UNLESS NOTED. CUMULATIVE TOLERANCES NOT TO EXCEED 0.025" [0.625MM] UNLESS NOTED. HOLE TOLERANCES  $+0.010''/-0.000''$  [+0.025MM/-0MM] UNLESS NOTED. ANGULAR TOLERANCES NOT TO EXCEED 2° UNLESS NOTED.

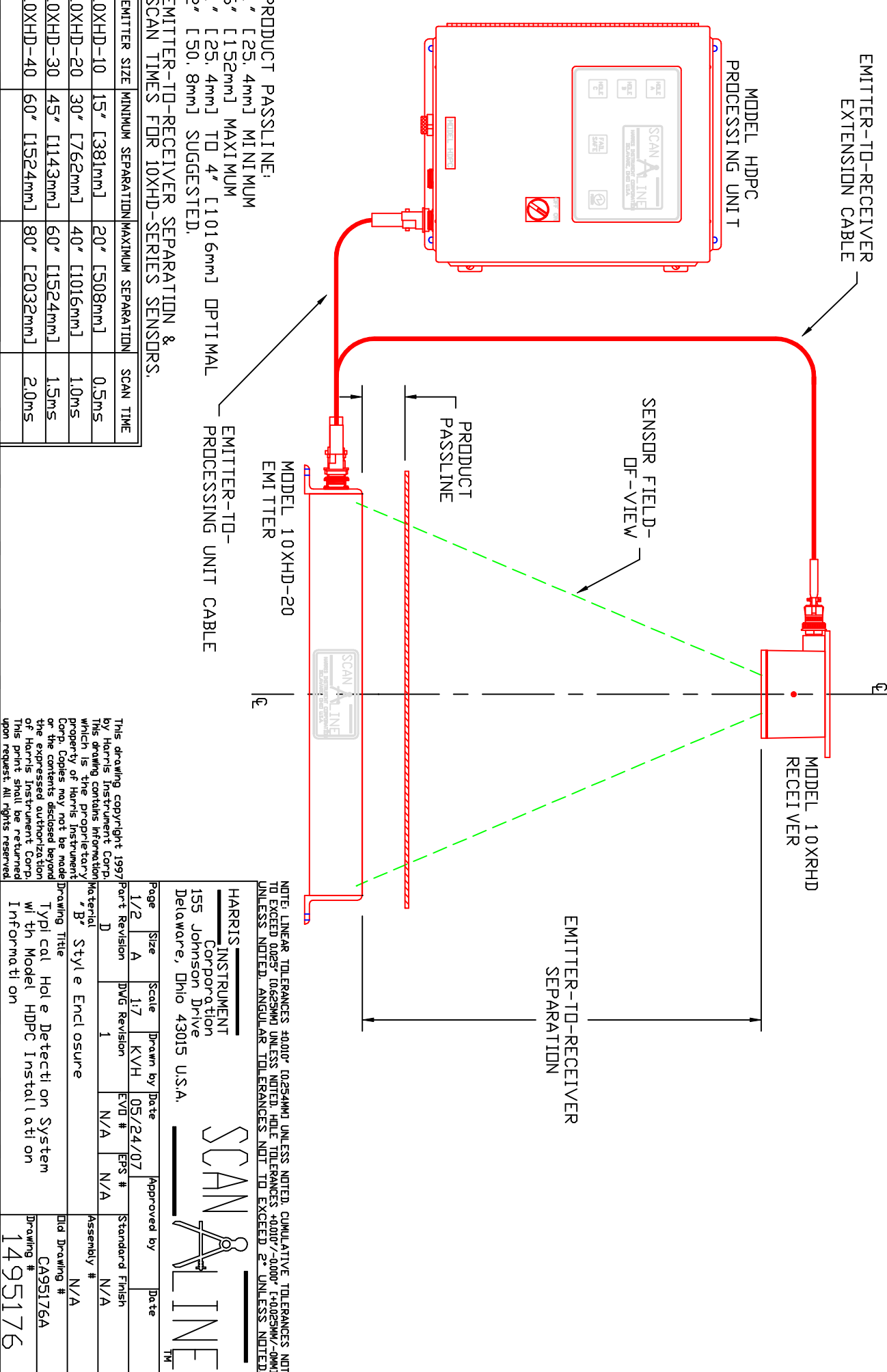
HARRIS INSTRUMENT Corporation  
155 Johnson Drive  
Delaware, Ohio 43015 U.S.A.



Page 1/1	Size A	Scale 1:2	Drawn by MCM	Date 01/24/95	Approved by	Date
Part Revision C	DWG Revision 4	EVD # N/A	EPS # N/A	Standard Finish Black Polane Paint	Assembly # N/A	Old Drawing # CA95015
Drawing Title Dimensions, 10X-Series Sensor Receiver				Drawing # 1295015		

This drawing copyright 1997 by Harris Instrument Corp. This drawing contains information which is the proprietary property of Harris Instrument Corp. Copies may not be made or the contents disclosed beyond the expressed authorization of Harris Instrument Corp. This print shall be returned upon request. All rights reserved.

Date	Rev	Record	Auth	ECN #	Reference
12/18/96	A	10XA Emitter Update	MCM	47	1495176 Rev A Pg 2 HD System w/ HDPU-2
05/05/97	I	Update Border/Part Number	ML		
	-	No change to part	--		
07/20/98	B	Update to New Box/Emitter	MCM	230	
03/16/00	C	Change to Bushing Connector	KVH		
05/24/07	D	Update New Processor "B" Style	KVH		



PRODUCT PASSLINE:  
 1" [25.4mm] MINIMUM  
 6" [152mm] MAXIMUM  
 1" [25.4mm] TO 4" [101.6mm] OPTIMAL  
 2" [50.8mm] SUGGESTED.

EMITTER-TD-RECEIVER SEPARATION & SCAN TIMES FOR 10XHD-SERIES SENSORS.

EMITTER SIZE	MINIMUM SEPARATION	MAXIMUM SEPARATION	SCAN TIME
10XHD-10	15" [381mm]	20" [508mm]	0.5ms
10XHD-20	30" [762mm]	40" [1016mm]	1.0ms
10XHD-30	45" [1143mm]	60" [1524mm]	1.5ms
10XHD-40	60" [1524mm]	80" [2032mm]	2.0ms

This drawing copyright 1997 by Harris Instrument Corp. This drawing contains information which is the proprietary property of Harris Instrument Corp. Copies may not be made or the contents disclosed beyond the expressed authorization of Harris Instrument Corp. This print shall be returned upon request. All rights reserved.

NOTE: LINEAR TOLERANCES ±0.010" (0.254MM) UNLESS NOTED. CUMULATIVE TOLERANCES NOT TO EXCEED 0.025" (0.625MM) UNLESS NOTED. HOLE TOLERANCES +0.010"/-0.000" (+0.025MM/-0MM) UNLESS NOTED. ANGULAR TOLERANCES NOT TO EXCEED 2° UNLESS NOTED.

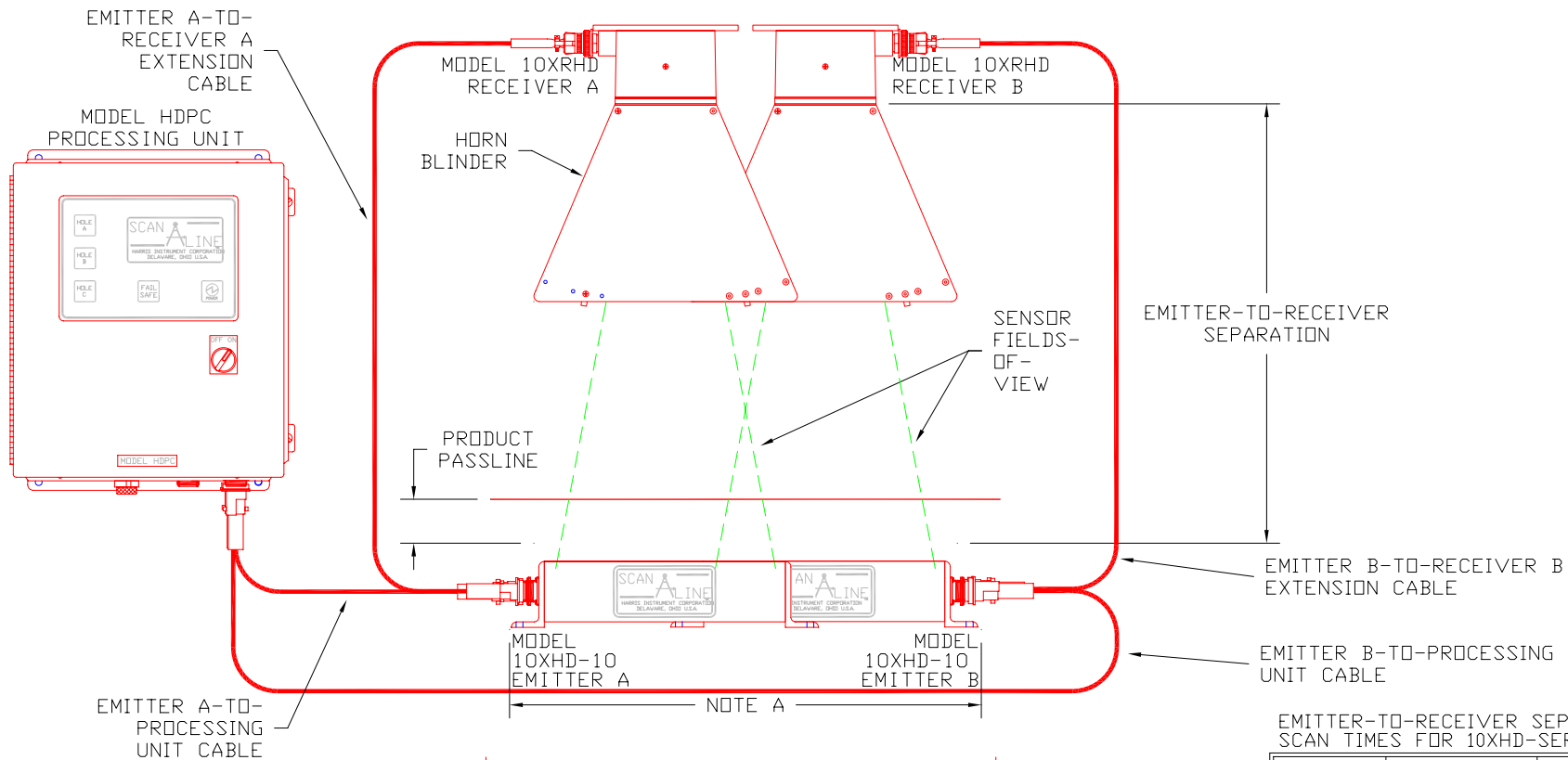
**HARRIS INSTRUMENT CORPORATION**  
 155 Johnson Drive  
 Delaware, Ohio 43015 U.S.A.

**SCAN A LINE**™

Page 1/2	Size A	Scale 1/17	Drawn by KVH	Date 05/24/07	Approved by	Date
Part Revision D	DWG Revision 1	EVD # N/A	EPS # N/A	Standard Finish N/A	Assembly # N/A	Old Drawing # N/A

Drawing Title: Typical Hole Detection System with Model HDPC Installation Information

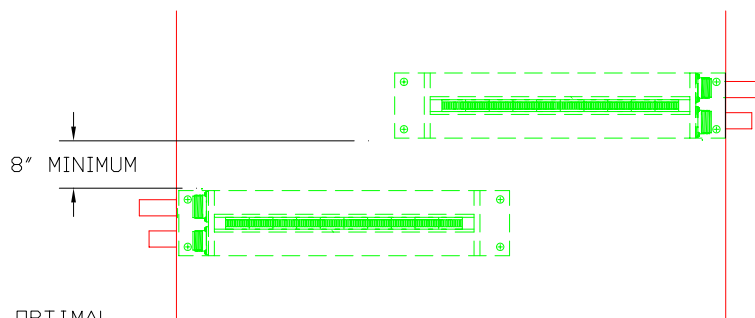
Drawing #: 1495176



EMITTER-TO-RECEIVER SEPARATION & SCAN TIMES FOR 10XHD-SERIES SENSORS.

EMITTER SIZE	MINIMUM SEPARATION	MAXIMUM SEPARATION	SCAN TIME
10XHD-10	15" [381mm]	20" [508mm]	0.5ms
10XHD-20	30" [762mm]	40" [1016mm]	1.0ms
10XHD-30	45" [1143mm]	60" [1524mm]	1.5ms
10XHD-40	60" [1524mm]	80" [2032mm]	2.0ms

NOTE: LINEAR TOLERANCES  $\pm 0.010"$  [0.254MM] UNLESS NOTED. CUMULATIVE TOLERANCES NOT TO EXCEED 0.025" [0.625MM] UNLESS NOTED. HOLE TOLERANCES  $+0.010"/-0.000"$  [+0.025MM/-0MM] UNLESS NOTED. ANGULAR TOLERANCES NOT TO EXCEED 2° UNLESS NOTED.



PRODUCT PASSLINE:  
 1" [25.4mm] MINIMUM  
 6" [152mm] MAXIMUM  
 1" [25.4mm] TO 4" [1016mm] OPTIMAL  
 2" [50.8mm] SUGGESTED.

NOTE A: DEPENDENT UPON MAXIMUM STRIP WIDTH AND SIZE OF SENSORS.

Date	Rev	Record	Auth	ECN #	Reference
07/20/98	1	CAD Conversion	MCM		1495176 Rev. C Pg 1 HD System w/ HDPU-1
03/16/00	A	Change to Bushing Connector	KVH	230	
05/24/07	B	Update new processor, "B" Style	KVH		

This drawing copyright 1997 by Harris Instrument Corp. This drawing contains information which is the proprietary property of Harris Instrument Corp. Copies may not be made or the contents disclosed beyond the expressed authorization of Harris Instrument Corp. This print shall be returned upon request. All rights reserved.

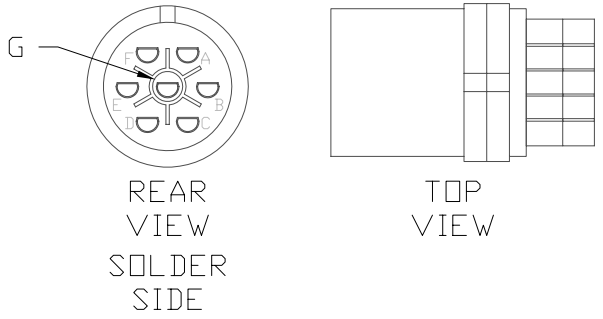
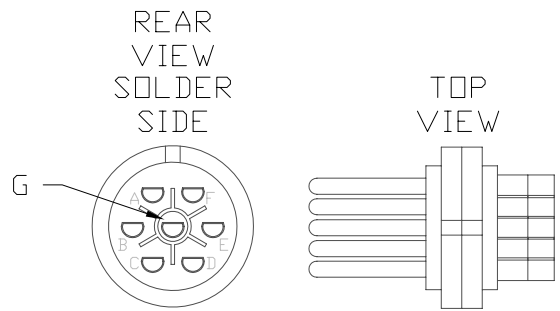
**HARRIS** INSTRUMENT Corporation  
 155 Johnson Drive  
 Delaware, Ohio 43015 U.S.A.

Page 2/2	Size A	Scale 1:8	Drawn by KVH	Date 05/24/07	Approved by	Date
Part Revision B	DWG Revision 1	EVO # N/A	EPS # N/A	Standard Finish N/A	Assembly # N/A	Old Drawing # CA95176A
Drawing Title Typical Hole Detection System with Model HDPC Installation Information				Drawing # 1495176		

Date	Rev	Record	Auth	ECN #	Reference
03/09/95	1	CAD Conversion	DH		3495104 Rev A 10X-Series Receiver Cable
01/19/96	A	Change Genders	BB		3495101 10X-Series Sealed Emitter-PU Cable
04/01/97	2	Update Border	MCM		3495109 Rev A 10X-Series Sealed Receiver Cable

EMITTER: 7-PIN SHELL INSERT (FEMALE)

PIN	COLOR	PAIR	FUNCTION
A	BLACK	B/W	DIGITAL COMMON
B	BLACK	B/R	-12 VOLTS DC
C	RED	B/R	+12 VOLTS DC
D	WHITE	B/W	SYNC
E	BLACK	B/G	SIGNAL COMMON
F	GREEN	B/G	VIDEO
G	GREY	SHIELDS	SHIELD (EARTH)



PROCESSING UNIT: 7-PIN SHELL INSERT (MALE)

PIN	COLOR	PAIR	FUNCTION
A	BLACK	B/W	DIGITAL COMMON
B	BLACK	B/R	-12 VOLTS DC
C	RED	B/R	+12 VOLTS DC
D	WHITE	B/W	SYNC
E	BLACK	B/G	SIGNAL COMMON
F	GREEN	B/G	VIDEO
G	GREY	SHIELDS	SHIELD (EARTH)

CIRCULAR PLUG: 97-3106A-16S-1P 7-PIN MALE WITH 97-3057-8 STRAIN RELIEF AMPHENOL OR EQUIVELANT.

CIRCULAR SOCKET: 97-3106A-16S-1S 7-PIN FEMALE WITH 97-3057-8 STRAIN RELIEF AMPHENOL OR EQUIVELANT.

LENGTH: STANDARD=20', 50' MAXIMUM

NOTE: LINEAR TOLERANCES ±0.010" (0.254MM) UNLESS NOTED. CUMULATIVE TOLERANCES NOT TO EXCEED 0.025" (0.625MM) UNLESS NOTED. HOLE TOLERANCES +0.010"/-0.000" (+0.025MM/-0MM) UNLESS NOTED. ANGULAR TOLERANCES NOT TO EXCEED 2° UNLESS NOTED.

<b>HARRIS INSTRUMENT Corporation</b> 155 Johnson Drive Delaware, Ohio 43015 U.S.A.						
Page	Size	Scale	Drawn by	Date	Approved by	Date
1/1	A	N/A	DH	11/15/86	DH	03/09/95
Part Revision	DWG Revision	EVO #	EPS #	Standard Finish		
A	2	N/A	N/A	N/A		
Material				Assembly #		
Belden 8777 or equivalent				N/A		
Drawing Title				Old Drawing #		
Cable, 10X-Series Emitter-to-Processing Unit: 7-pin Circular Plug to 7-pin Circular Socket				WA86060		
				Part #		
				3486060		

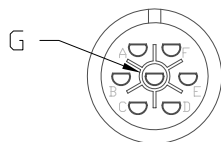
This drawing copyright 1998 by Harris Instrument Corp. This drawing contains information which is the proprietary property of Harris Instrument Corp. Copies may not be made or the contents disclosed beyond the expressed authorization of Harris Instrument Corp. This print shall be returned upon request. All rights reserved.



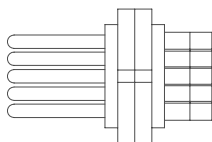
Date	Rev	Record	Auth	ECN #	Reference
10/08/96	1	Add Graphics	MCM		3486060 Rev A 10X-Series Emitter-PU Cable
02/06/97	2	Fix Connector Text Error	BB		3495104 Rev A 10X-Series Receiver Cable
04/01/97	3	Update Border	MCM		3495109 Rev A 10X-Series Sealed Receiver Cable
07/01/97	4	Update Part Number	ML	47	

PROCESSING UNIT: 7-PIN PLUG SHELL INSERT (MALE)

PIN	COLOR	PAIR	FUNCTION
A	BLACK	B/W	DIGITAL COMMON
B	BLACK	B/R	-12 VOLTS DC
C	RED	B/R	+12 VOLTS DC
D	WHITE	B/W	SYNC
E	BLACK	B/G	SIGNAL COMMON
F	GREEN	B/G	VIDEO
G	GREY	SHIELDS	SHIELD (EARTH)

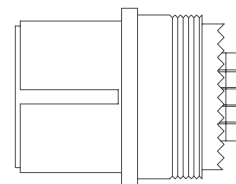
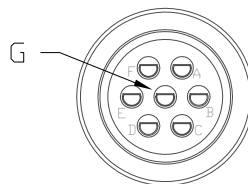


REAR VIEW  
SOLDER SIDE



TOP VIEW

REAR VIEW  
SOLDER SIDE      TOP VIEW



EMITTER: 7-PIN SEALED SOCKET SHELL INSERT (FEMALE)

PIN	COLOR	PAIR	FUNCTION
A	BLACK	B/W	DIGITAL COMMON
B	BLACK	B/R	-12 VOLTS DC
C	RED	B/R	+12 VOLTS DC
D	WHITE	B/W	SYNC
E	BLACK	B/G	SIGNAL COMMON
F	GREEN	B/G	VIDEO
G	GREY	SHIELDS	SHIELD (EARTH)

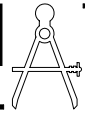
CIRCULAR PLUG: 97-3106A-16S-1P 7-PIN MALE  
WITH 97-3057-8 STRAIN RELIEF  
AMPHENOL OR EQUIVELANT.

CIRCULAR SOCKET: MS3106E16S-1S 7-PIN SEALED FEMALE  
WITH BUILT-IN STRAIN RELIEF  
AMPHENOL OR EQUIVELANT.

LENGTH: 20' STANDARD = 3400420  
30' = 3400430  
45' = 3400445  
50' MAXIMUM = 3400450

NOTE: THIS CABLE ALSO USED FOR THE SHD-200  
EMITTER-TO-RECEIVER CABLE.

NOTE: LINEAR TOLERANCES ±0.010" (0.254MM) UNLESS NOTED. CUMULATIVE TOLERANCES NOT TO EXCEED 0.025" (0.625MM) UNLESS NOTED. HOLE TOLERANCES +0.010"/-0.000" (+0.025MM/-0MM) UNLESS NOTED. ANGULAR TOLERANCES NOT TO EXCEED 2° UNLESS NOTED.

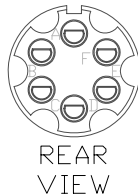
<b>HARRIS</b> INSTRUMENT Corporation 155 Johnson Drive Delaware, Ohio 43015 U.S.A.		<b>SCAN</b>  <b>LINE</b> <small>TM</small>				
Page	Size	Scale	Drawn by	Date	Approved by	Date
1/1	A	N/A	MCM	06/13/95		
Part Revision	DWG Revision	EVO #	EPS #	Standard Finish		
	4	N/A	N/A	N/A		
Material	Belden 8777 or equivalent			Assembly #	N/A	
Drawing Title	Cable, 10X-Series Watertight Emitter-to-Processing Unit: 7-pin Circular Plug to 7-pin Sealed Circular Socket			Old Drawing #	WA95101	
				Part #	3495101	

This drawing copyright 1997 by Harris Instrument Corp. This drawing contains information which is the proprietary property of Harris Instrument Corp. Copies may not be made or the contents disclosed beyond the expressed authorization of Harris Instrument Corp. This print shall be returned upon request. All rights reserved.

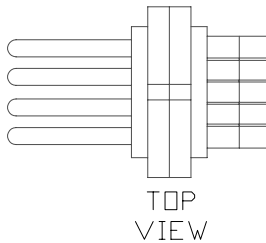
Date	Rev	Record	Auth	ECN #	Reference
08/29/95	A	Change Genders	SC		3486060 Rev A 10X-Series Emitter-PU Cable
01/19/96	1	Add Graphics	MCM		3495101 10X-Series Sealed Emitter-PU Cable
04/01/97	2	Update Border	MCM		3495109 Rev A 10X-Series Seal Receiver Cable
07/01/97	3	Update Part Number	ML	47	

PIN	COLOR	PAIR	FUNCTION
A	WHITE & BLACK	B/W	COMMON
B	BLACK	B/R	-12 VOLTS DC
C	RED	B/R	+12 VOLTS DC
D	GREY	SHIELDS	SHIELD
E	BLACK	B/G	SIGNAL COMMON
F	GREEN	B/G	ANALOG COMMON

EMITTER 6-PIN PLUG SHELL INSERT (MALE)



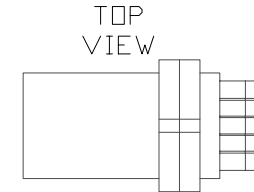
REAR VIEW



TOP VIEW



REAR VIEW



TOP VIEW

INLINE: 6-PIN INLINE SOCKET INSERT (FEMALE)

PIN	COLOR	PAIR	FUNCTION
A	WHITE & BLACK	B/W	COMMON
B	BLACK	B/R	-12 VOLTS DC
C	RED	B/R	+12 VOLTS DC
D	GREY	SHIELDS	SHIELD
E	BLACK	B/G	SIGNAL COMMON
F	GREEN	B/G	ANALOG COMMON

NOTE: ALL SHIELD TIE TOGETHER

CIRCULAR CONNECTOR: 97-3106A-14S-1P 6-PIN MALE  
WITH 97-3057-6 STRAIN RELIEF  
AMPHENOL OR EQUIVELANT.

INLINE CIRCULAR CONNECTOR: 97-3101A-14S 6-PIN FEMALE  
WITH 97-3057-6 STRAIN RELIEF  
AMPHENOL OR EQUIVELANT.

LENGTH: 15' STANDARD = 3400115  
20' = 3400120  
50' MAXIMUM = 3400150

NOTE: LINEAR TOLERANCES  $\pm 0.010"$  (0.254MM) UNLESS NOTED. CUMULATIVE TOLERANCES NOT TO EXCEED 0.025" (0.625MM) UNLESS NOTED. HOLE TOLERANCES  $+0.010"/-0.000"$  (+0.025MM/-0MM) UNLESS NOTED. ANGULAR TOLERANCES NOT TO EXCEED 2° UNLESS NOTED.

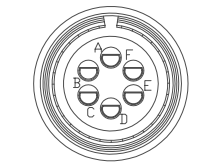
<b>HARRIS</b> INSTRUMENT Corporation 155 Johnson Drive Delaware, Ohio 43015 U.S.A.						
Page	Size	Scale	Drawn by	Date	Approved by	Date
1/1	A	N/A	MCM	08/18/95		
Part Revision	DWG Revision	EVO #	EPS #	Standard Finish		
A	3	N/A	N/A	N/A		
Material	Belden 8777 or equivalent			Assembly #	N/A	
Drawing Title	10X-Series Receiver Cable: 6-pin Circular Plug to 6-pin Inline Circular Socket			Old Drawing #	WA95104A	
				Part #	3495104	

This drawing copyright 1997 by Harris Instrument Corp. This drawing contains information which is the proprietary property of Harris Instrument Corp. Copies may not be made or the contents disclosed beyond the expressed authorization of Harris Instrument Corp. This print shall be returned upon request. All rights reserved.

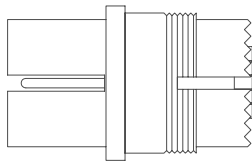
Date	Rev	Record	Auth	ECN #	Reference
08/30/95	A	Change Genders	SC		3486060 Rev A 10X-Series Emitter-PU Cable
04/01/97	1	Update Border	MCM		3495101 10X-Series Sealed Emitter-PU Cable
07/01/97	2	Update Part Number	ML	47	3495104 Rev A 10X-Series Receiver Cable

PIN	COLOR	PAIR	FUNCTION
A	WHITE & BLACK	B/W	COMMON
B	BLACK	B/R	-12 VOLTS DC
C	RED	B/R	+12 VOLTS DC
D	GREY	SHIELDS	SHIELD
E	BLACK	B/G	SIGNAL COMMON
F	GREEN	B/G	ANALOG COMMON

EMITTER: 6-PIN SEALED PLUG SHELL INSERT (MALE)

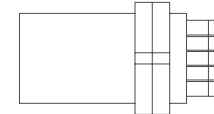


REAR VIEW  
SOLDER SIDE



TOP VIEW

REAR VIEW  
SOLDER SIDE TOP VIEW



INLINE: 6-PIN INLINE SOCKET SHELL INSERT (FEMALE)

PIN	COLOR	PAIR	FUNCTION
A	WHITE & BLACK	B/W	COMMON
B	BLACK	B/R	-12 VOLTS DC
C	RED	B/R	+12 VOLTS DC
D	GREY	SHIELDS	SHIELD
E	BLACK	B/G	SIGNAL COMMON
F	GREEN	B/G	ANALOG COMMON


NOTE: ALL SHIELD TIE TOGETHER

CIRCULAR CONNECTOR: MS-3106E-14S-6P 6-PIN MALE SEALED  
WITH 97-3057-6 STRAIN RELIEF

INLINE CIRCULAR CONNECTOR: 97-3101A-14S 6-PIN FEMALE  
WITH 97-3057-6 STRAIN RELIEF

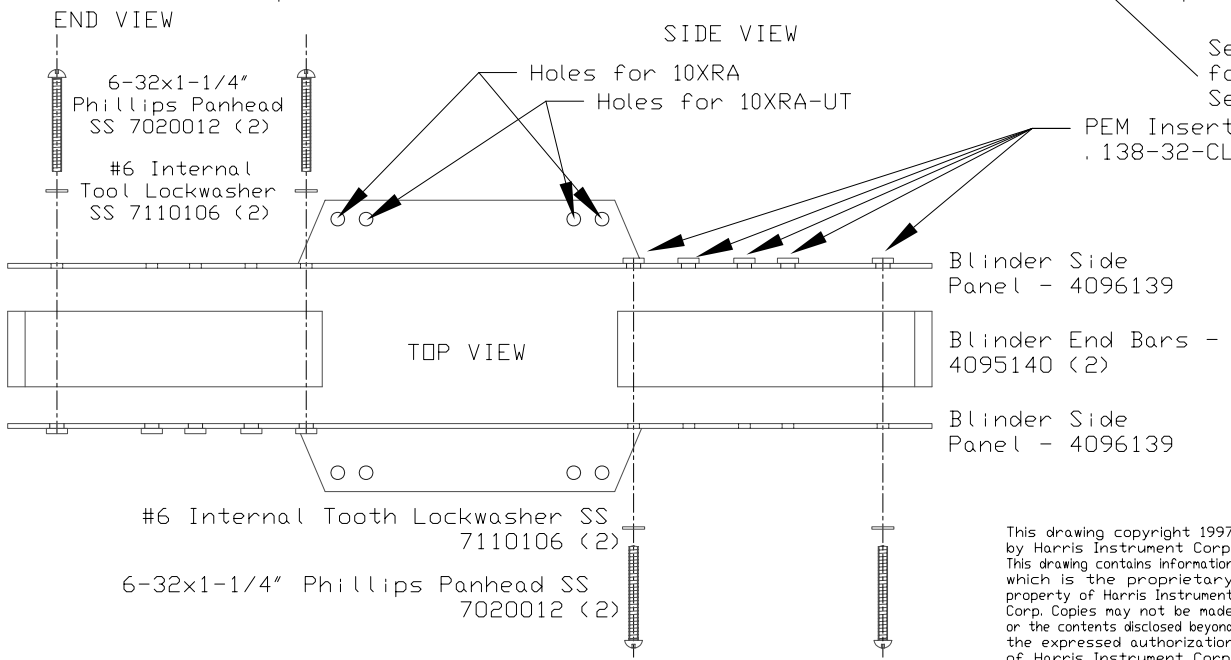
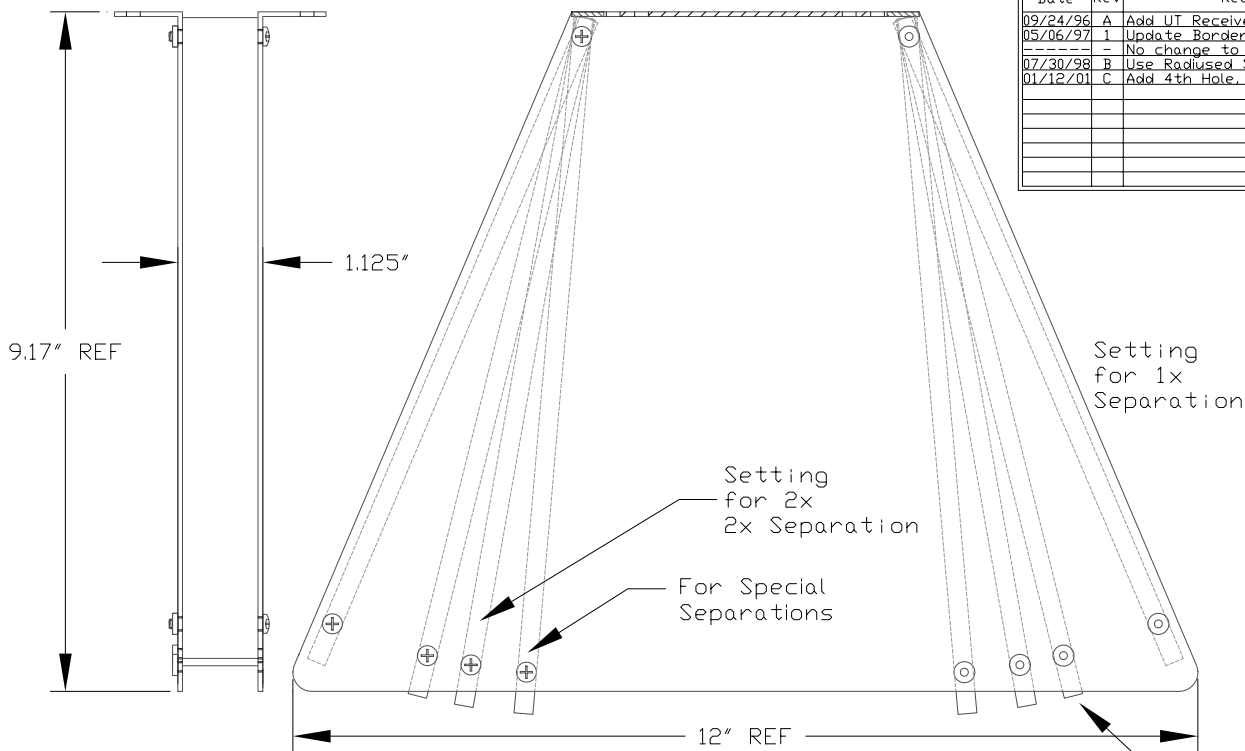
LENGTH: 15' STANDARD = 3400315  
20' = 3400320  
50' MAXIMUM = 3400350

NOTE: LINEAR TOLERANCES  $\pm 0.010'$  (0.254MM) UNLESS NOTED. CUMULATIVE TOLERANCES NOT TO EXCEED 0.025' (0.625MM) UNLESS NOTED. HOLE TOLERANCES  $+0.010' / -0.000'$  (+0.025MM/-0MM) UNLESS NOTED. ANGULAR TOLERANCES NOT TO EXCEED 2° UNLESS NOTED.

<b>HARRIS</b> INSTRUMENT Corporation 155 Johnson Drive Delaware, Ohio 43015 U.S.A.		<b>SCAN</b>  <b>LINE</b> <small>TM</small>				
Page 1/1	Size A	Scale N/A	Drawn by MCM	Date 06/20/95	Approved by	Date
Part Revision A	DWG Revision 2	EVO # N/A	EPS # N/A	Standard Finish N/A	Assembly # N/A	Old Drawing # WA95109A
Material Belden 8777 or Equivalent				Drawing Title 10X-Series Receiver Cable: 6-pin Sealed Circular Plug to 6-pin Inline Circular Socket		Part # <b>3495109</b>

This drawing copyright 1997 by Harris Instrument Corp. This drawing contains information which is the proprietary property of Harris Instrument Corp. Copies may not be made or the contents disclosed beyond the expressed authorization of Harris Instrument Corp. This print shall be returned upon request. All rights reserved.

Date	Rev	Record	Auth	CAR #	Reference
09/24/96	A	Add UT Receiver Mounting Holes	BB	33	4096140 Rev A Horn Blinder End Bars Layout
05/06/97	I	Update Border/Part #	ML	47	4096139 Rev C Horn Blinder Side Panel Layout
	-	No change to part			
07/30/98	B	Use Radiused Side Panel	ML	163	
01/12/01	C	Add 4th Hole, Change Foot	ML	258	

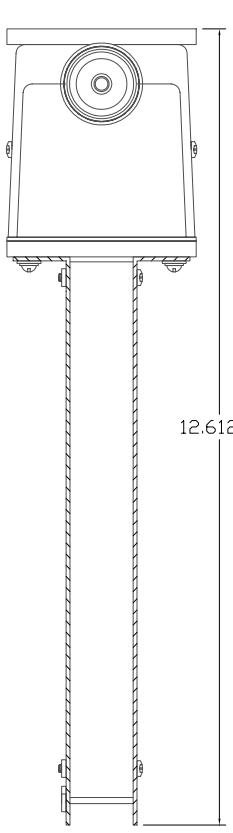


NOTE: LINEAR TOLERANCES  $\pm 0.010"$  (0.254MM) UNLESS NOTED. CUMULATIVE TOLERANCES NOT TO EXCEED 0.025" (0.625MM) UNLESS NOTED. HOLE TOLERANCES  $+0.010"/-0.000"$  (+0.25MM/-0MM) UNLESS NOTED. ANGULAR TOLERANCES NOT TO EXCEED 2° UNLESS NOTED.

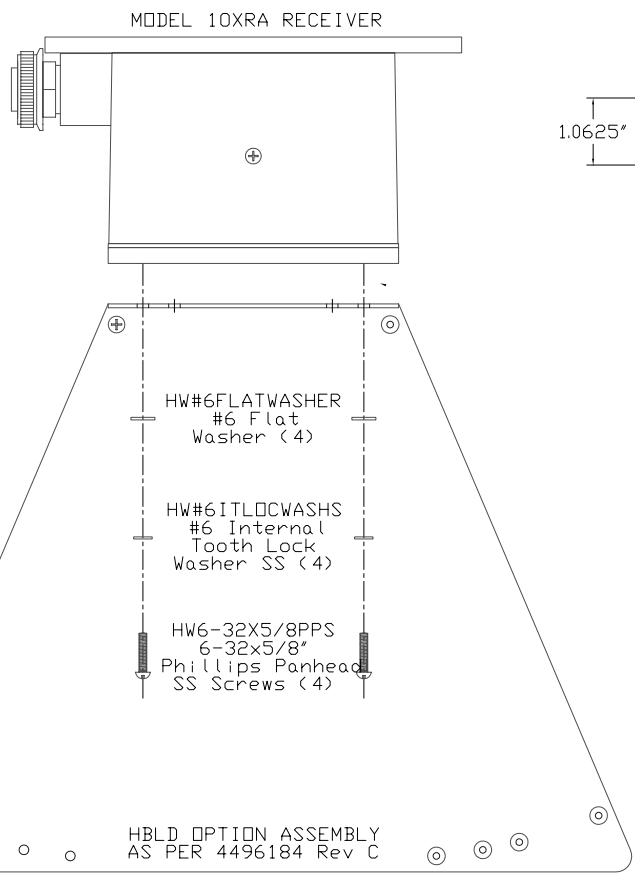
<b>HARRIS INSTRUMENT Corporation</b> 155 Johnson Drive Delaware, Ohio 43015 U.S.A.						
Page 1/1	Size A	Scale 1:2.5	Drawn by MCM	Date 08/29/96	Approved by	Date
Part Revision C	DWG Revision 1	EVD # N/A	EPS # N/A	Standard Finish Black Anodized	Assembly # N/A	
Drawing Title Horn Blinder (HBLD Option) Unit Assembly				Old Drawing # AA96184A	Part # 4496184	

This drawing copyright 1997 by Harris Instrument Corp. This drawing contains information which is the proprietary property of Harris Instrument Corp. Copies may not be made or the contents disclosed beyond the expressed authorization of Harris Instrument Corp. This print shall be returned upon request. All rights reserved.

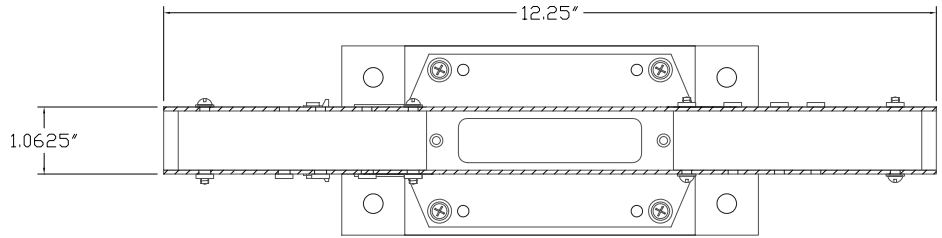
Date	Rev	Record	Auth	ECN #	Reference
05/06/97	1	Update Border/Part #	ML	47	4496184 Rev B HBLD Option Unit Assembly
	-	No change to part	--	--	4497089 Rev C 10XRA Receiver Assembly
10/22/98	A	Use Radiused Side Panel	MCM	163	
03/24/00	B	Change to Rec Bushing Connector	KVH	230	
10/23/03	C	Added 4th adj. hole	BLA		



FINISHED  
END VIEW



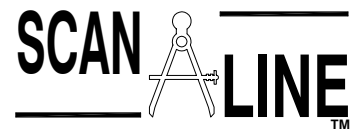
EXPLODED  
SIDE VIEW



FINISHED  
TOP VIEW

NOTE: LINEAR TOLERANCES  $\pm 0.010"$  [0.254MM] UNLESS NOTED. CUMULATIVE TOLERANCES NOT TO EXCEED  $0.025"$  [0.625MM] UNLESS NOTED. HOLE TOLERANCES  $+0.010"/-0.000"$  [+0.025MM/-0MM] UNLESS NOTED. ANGULAR TOLERANCES NOT TO EXCEED  $2^\circ$  UNLESS NOTED.

HARRIS INSTRUMENT Corporation  
155 Johnson Drive  
Delaware, Ohio 43015 U.S.A.

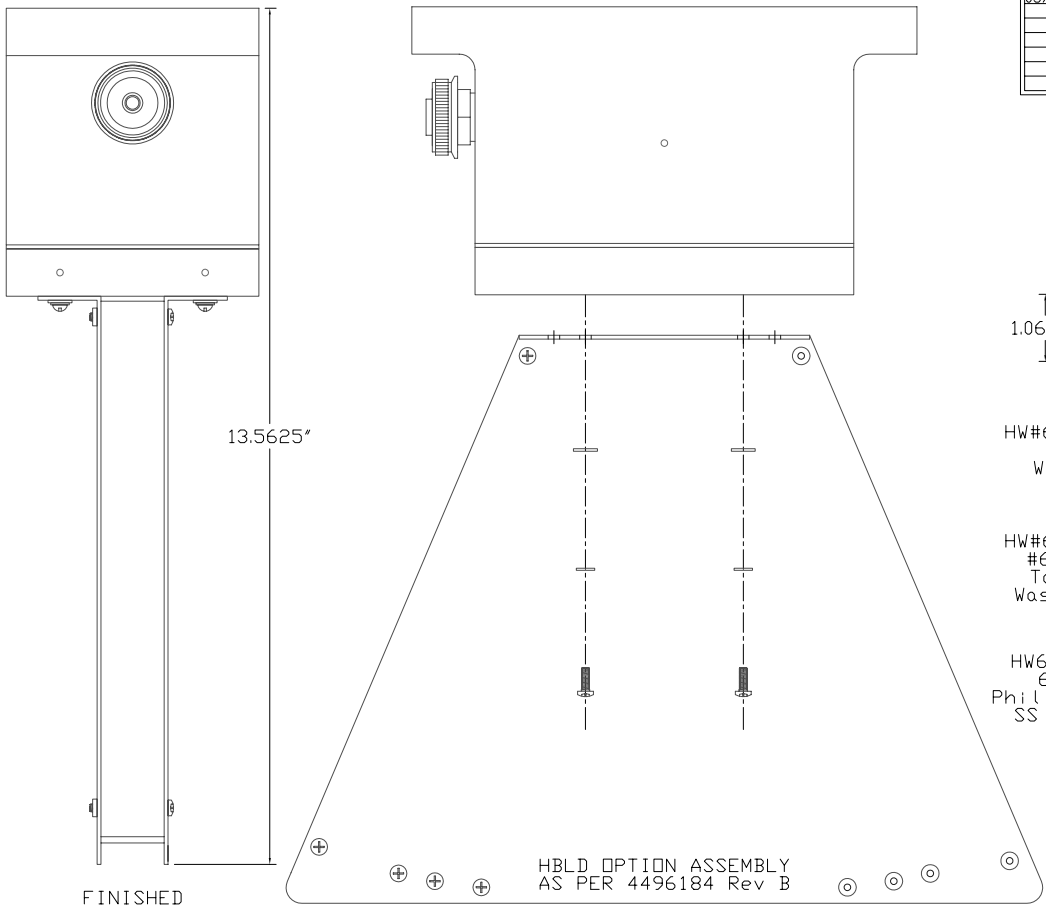


Page	Size	Scale	Drawn by	Date	Approved by	Date
1/1	A	1:3	MCM	02/19/97		
Part Revision		DWG Revision		EVO #	EPS #	Standard Finish
C		1		N/A	N/A	N/A
Material						Assembly #
						N/A
Drawing Title						Old Drawing #
Horn Blender (HBLD Option) Attachment to 10XRA Receiver						AA97015
						Part #
						4497015

This drawing copyright 1997 by Harris Instrument Corp. This drawing contains information which is the proprietary property of Harris Instrument Corp. Copies may not be made or the contents disclosed beyond the expressed authorization of Harris Instrument Corp. This print shall be returned upon request. All rights reserved.

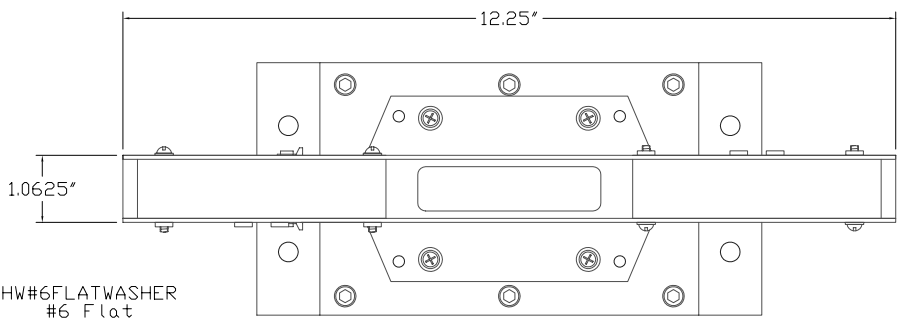
Date	Rev	Record	Auth	ECN #	Reference
03/24/97	A	Change Screw Length	BB		4496184 Rev B HBLD Option Unit Assembly
05/06/97	I	Update Border/Part #	ML	47	4495237 Rev C 10XRA-UT Unit Assembly
		No change to part			
10/22/98	B	Use Radiused Side Panel	MCM	163	
12/10/99	C	Add Bezel Mounting Hole Dims	MCM		
03/24/00	D	Change to Rec Bushing Connector	KVH	230	

MODEL 10XRA-UT RECEIVER



FINISHED  
END VIEW

EXPLODED  
SIDE VIEW

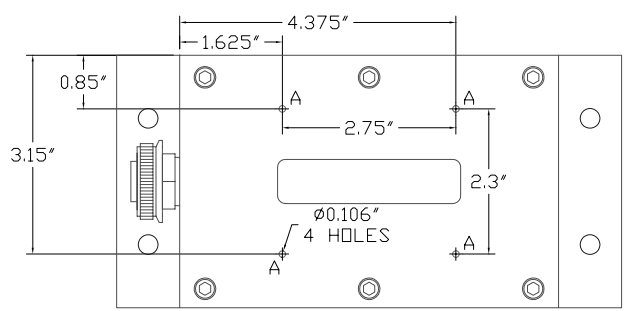


HW#6FLATWASHER  
#6 Flat  
Washer (4)

HW#6ITLOCWASHS  
#6 Internal  
Tooth Lock  
Washer SS (4)

HW6-32X3/8PPS  
6-32x3/8"  
Phillips Panhead  
SS Screws (4)

FINISHED  
TOP VIEW



INSTALLATION TOP VIEW

HOLE A: DRILL #36 (0.106") 0.5" DEEP FROM TOP,  
BOTTOM TAP FOR 6-32 (FOR HORN BLINDER)

NOTE: LINEAR TOLERANCES ±0.010" (0.254MM) UNLESS NOTED. CUMULATIVE TOLERANCES NOT TO EXCEED 0.025" (0.625MM) UNLESS NOTED. HOLE TOLERANCES +0.010"/-0.000" (+0.025MM/-0MM) UNLESS NOTED. ANGULAR TOLERANCES NOT TO EXCEED 2° UNLESS NOTED.

HARRIS INSTRUMENT Corporation  
155 Johnson Drive  
Delaware, Ohio 43015 U.S.A.

**SCAN LINE**™

Page	Size	Scale	Drawn by	Date	Approved by	Date			
1/1	A	1:3	MCM	02/19/97					
Part Revision	D	DWG Revision	1	EVO #	N/A	EPS #	N/A	Standard Finish	N/A
Material							Assembly #	N/A	
Drawing Title	Horn Blinder (HBLD Option) Attachment to 10XRA-UT Receiver						Old Drawing #	AA97016A	
							Part #	4497016	

This drawing copyright 1997 by Harris Instrument Corp. This drawing contains information which is the proprietary property of Harris Instrument Corp. Copies may not be made or the contents disclosed beyond the expressed authorization of Harris Instrument Corp. This print shall be returned upon request. All rights reserved.