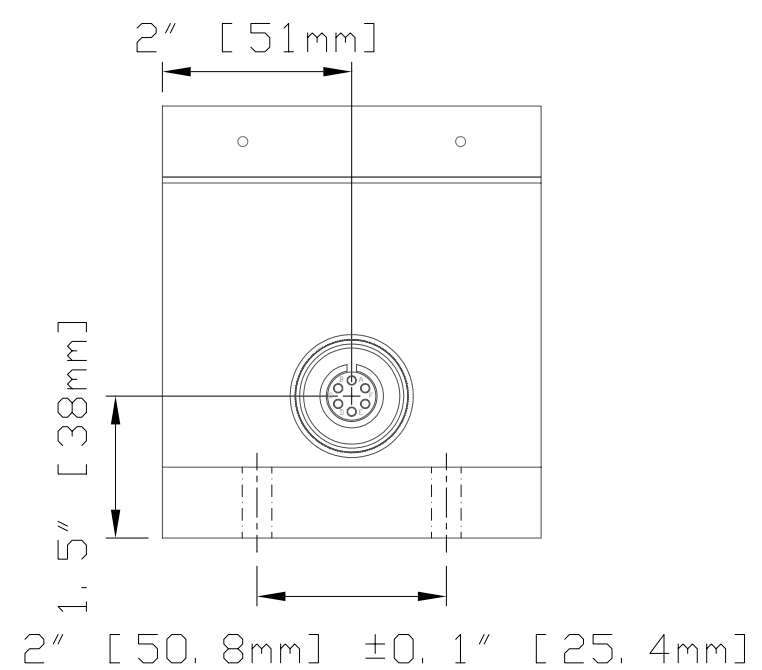
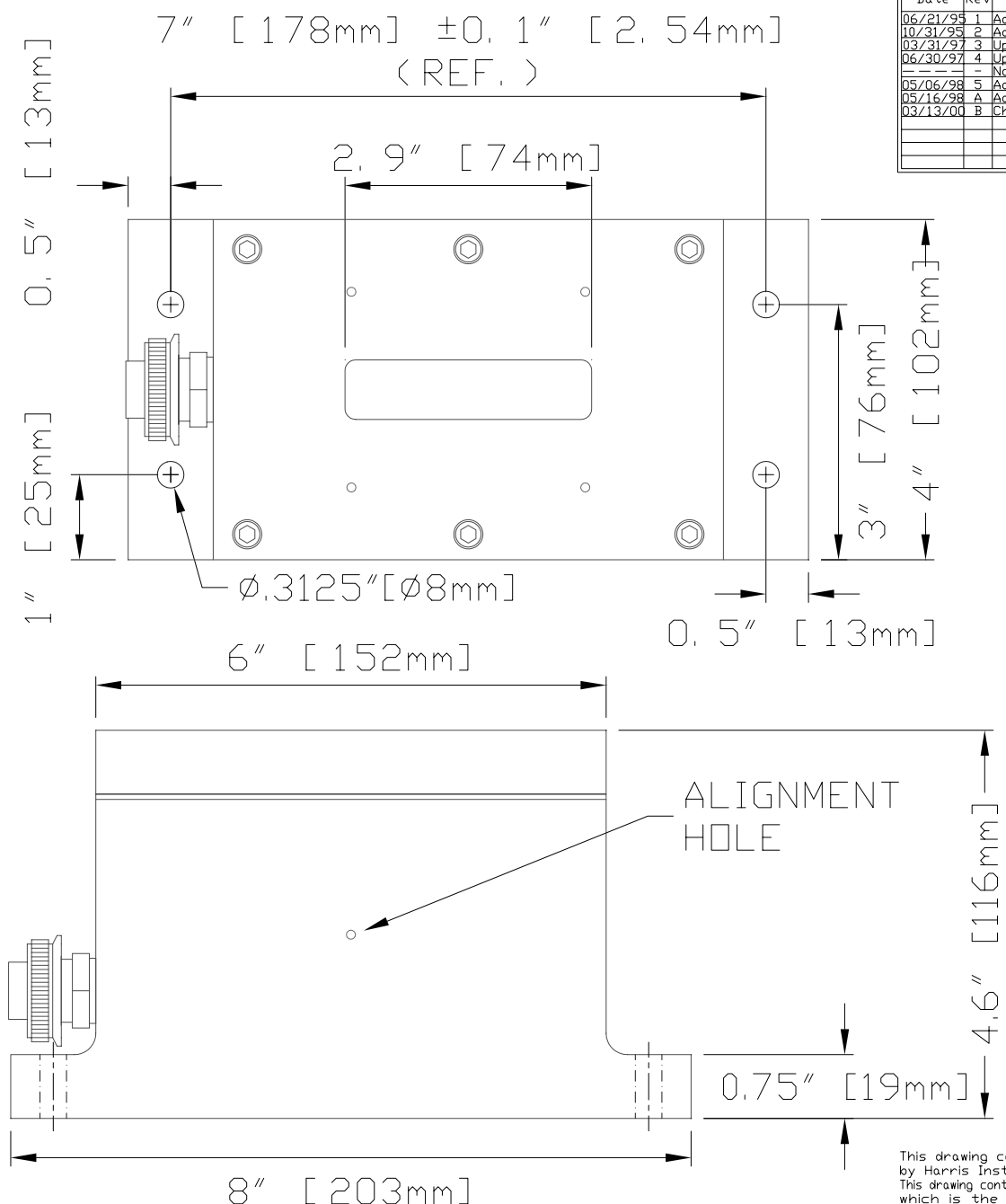


Date	Rev	Record	Auth	ECN #	Reference
06/21/95	1	Add Mounting Holes	MCM		1295004 Rev B 10XA-Series Emitter Dimensions
10/31/95	2	Add Mounting Hole Tolerances	MCM		1295007 Rev A 10X-Series UT Emitter Dimensions
03/31/97	3	Update Border	MCM		1295015 Rev C 10X-Series Receiver Dimensions
06/30/97	4	Update Part Number	ML	47	
		No change to part			
05/06/98	5	Add Base Thickness Dimension	DH		
05/16/98	A	Add Alignment Hole	MCM		
03/13/00	B	Change to Bushing Connector	KVH	230	

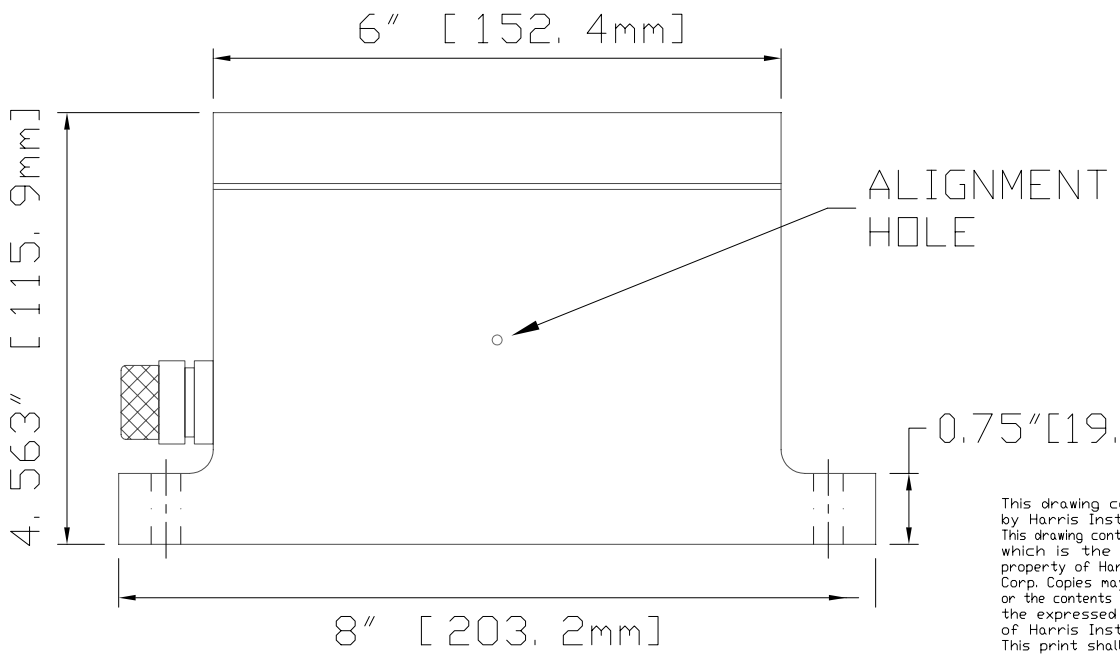
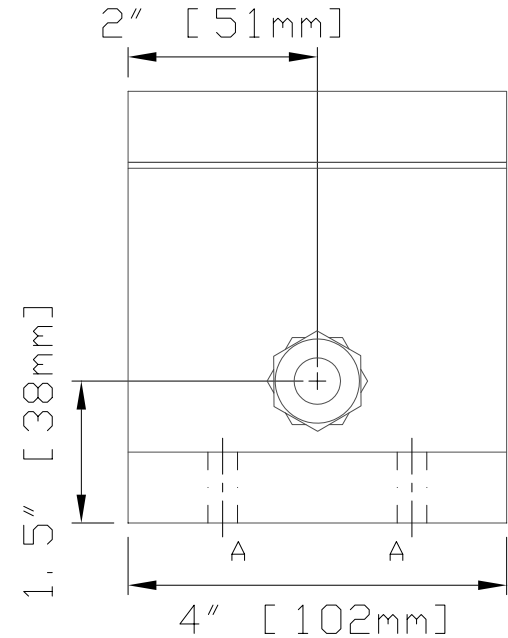
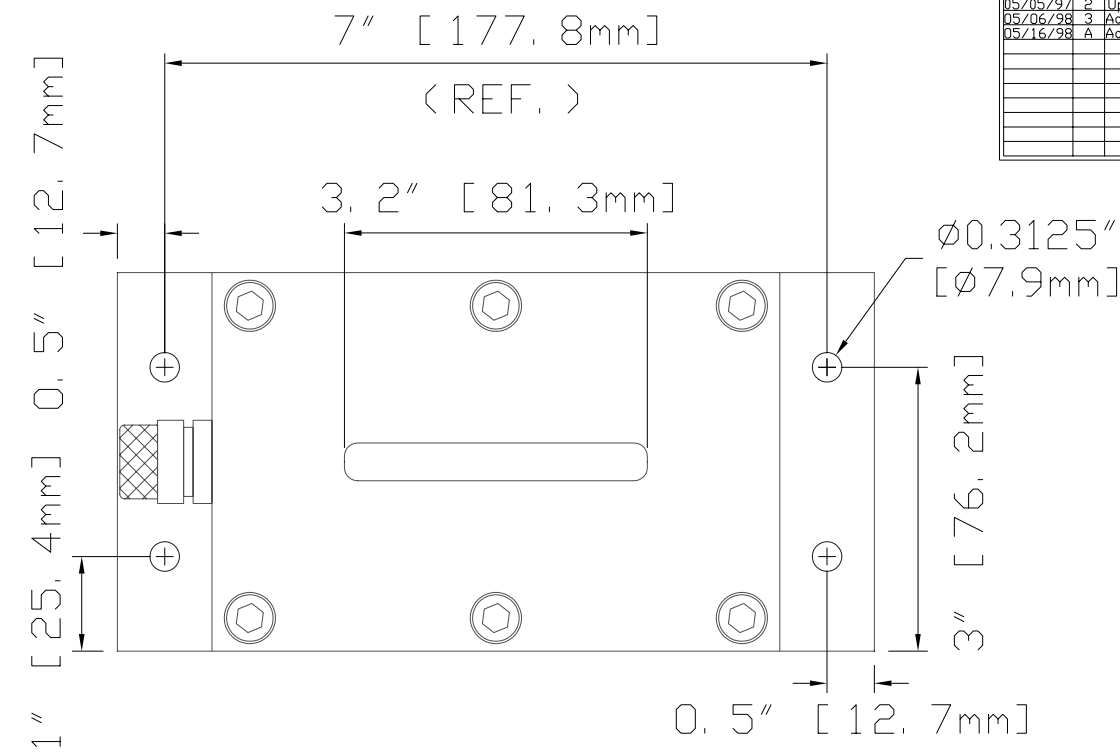


NOTE: LINEAR TOLERANCES ±0.010" [0.254MM] UNLESS NOTED. CUMULATIVE TOLERANCES NOT TO EXCEED 0.025" [0.625MM] UNLESS NOTED. HOLE TOLERANCES +0.010"/-0.000" [+0.025MM/-0MM] UNLESS NOTED. ANGULAR TOLERANCES NOT TO EXCEED 2° UNLESS NOTED.

<b>HARRIS INSTRUMENT Corporation</b> 155 Johnson Drive Delaware, Ohio 43015 U.S.A.						
Page 1/1	Size A	Scale 1:2	Drawn by MCM	Date 01/25/95	Approved by	Date
Part Revision B	DWG Revision 5	EVO # N/A	EPS # N/A	Standard Finish Blue Polane Paint	Assembly #	
Material				N/A		
Drawing Title				Old Drawing #		
Dimensions, 10XR-Series Sensor ULTRA-TOUGH Receiver				Drawing # 1295011		

This drawing copyright 1997 by Harris Instrument Corp. This drawing contains information which is the proprietary property of Harris Instrument Corp. Copies may not be made or the contents disclosed beyond the expressed authorization of Harris Instrument Corp. This print shall be returned upon request. All rights reserved.

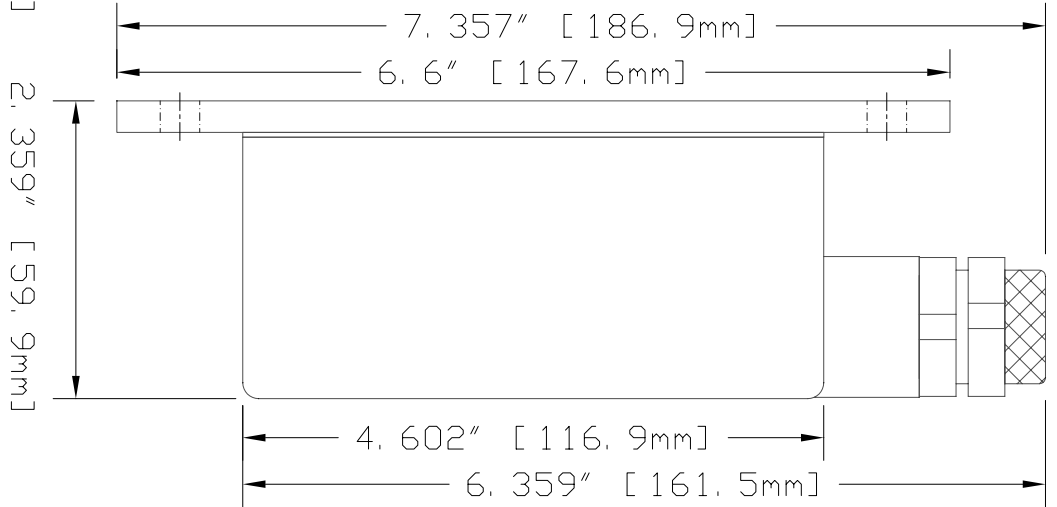
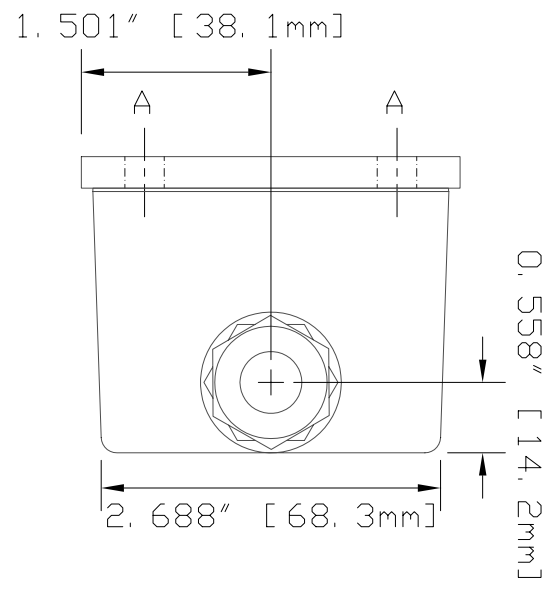
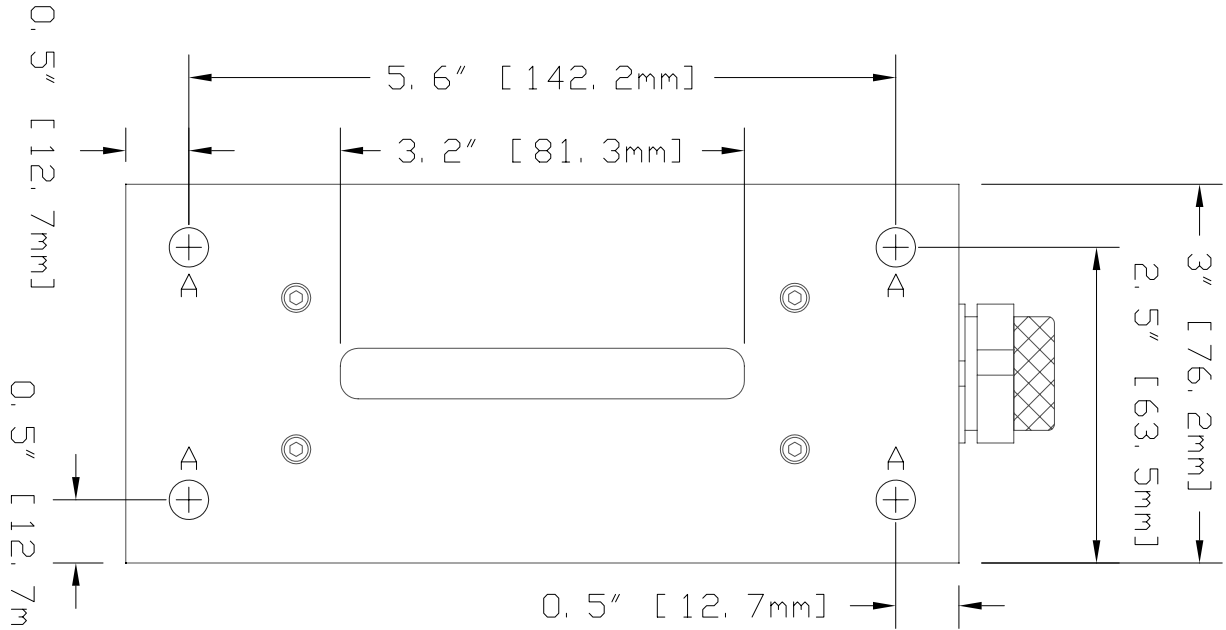
Date	Rev	Record	Auth	ECN #	Reference
10/25/96	1	Update Border	MCM		
05/05/97	2	Update Part #	ML		
05/06/98	3	Add Rose Thickness Dimension	DH		
05/16/98	A	Add Alignment Hole	MCM		



NOTE: LINEAR TOLERANCES ±0.010" [0.254MM] UNLESS NOTED. CUMULATIVE TOLERANCES NOT TO EXCEED 0.025" [0.625MM] UNLESS NOTED. HOLE TOLERANCES +0.010"/-0.000" [+0.025MM/-0MM] UNLESS NOTED. ANGULAR TOLERANCES NOT TO EXCEED 2° UNLESS NOTED.

<b>HARRIS INSTRUMENT Corporation</b> 155 Johnson Drive Delaware, Ohio 43015 U.S.A.						
Page 1/1	Size A	Scale 1:2	Drawn by MCM	Date 05/19/95	Approved by	Date
Part Revision A	DWG Revision 3	EVD # N/A	EPS # N/A	Standard Finish Blue Polane Paint	Assembly #	
Drawing Title Model EG-30A-UT Emitter Unit Dimensions				Old Drawing # CA95028	Part # 1295028	

This drawing copyright 1997 by Harris Instrument Corp. This drawing contains information which is the proprietary property of Harris Instrument Corp. Copies may not be made or the contents disclosed beyond the expressed authorization of Harris Instrument Corp. This print shall be returned upon request. All rights reserved.



MOUNTING HOLE "A" 5/16"  
(0.3125" [7.9MM]) DIAMETER.

NOTE: LINEAR TOLERANCES ±0.010" [0.254MM] UNLESS NOTED. CUMULATIVE TOLERANCES NOT TO EXCEED 0.025" [0.625MM] UNLESS NOTED. HOLE TOLERANCES +0.010"/-0.000" [+0.025MM/-0MM] UNLESS NOTED. ANGULAR TOLERANCES NOT TO EXCEED 2° UNLESS NOTED.

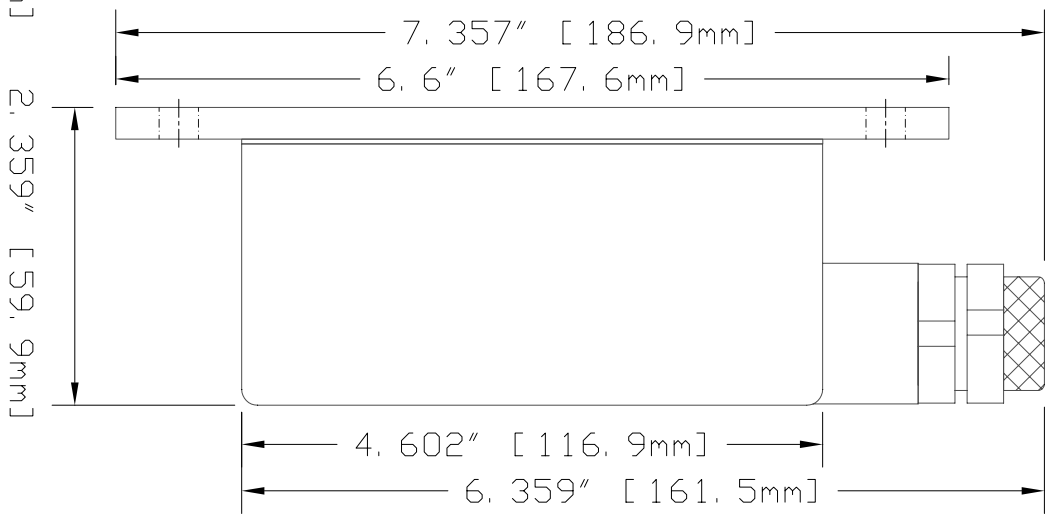
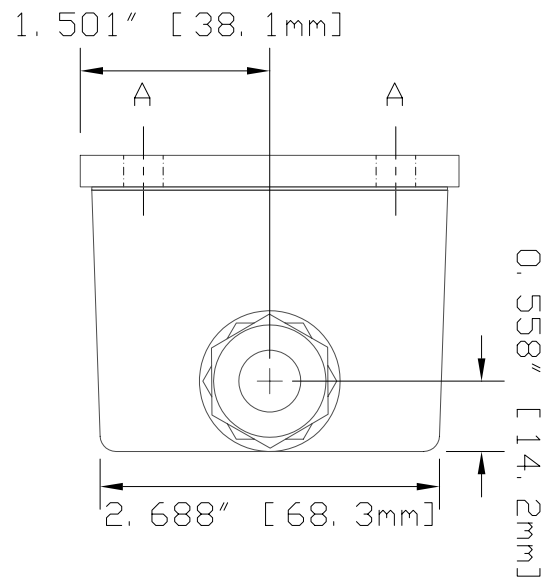
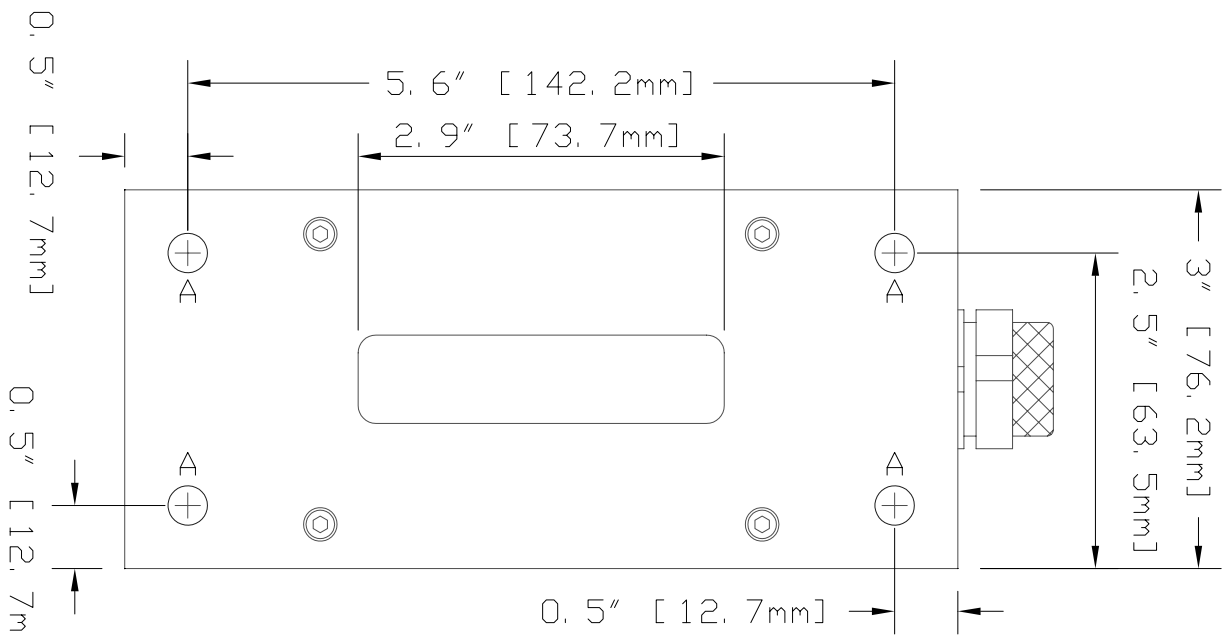
HARRIS INSTRUMENT Corporation  
155 Johnson Drive  
Delaware, Ohio 43015 U.S.A.

**SCAN LINE**

Page 1/1	Size A	Scale 1:1.5	Drawn by MCM	Date 05/25/95	Approved by	Date
Part Revision	DWG Revision 1	EVO # N/A	EPS # N/A	Standard Finish Blue Polane Paint	Assembly #	
Material	Drawing Title Model EG-30A Emitter Unit Dimensions	Old Drawing # CA95086	Part # 1295086			

Date	Rev	Record	Auth	ECN #	Reference
05/05/97	1	Update Border/Part #	ML		

This drawing copyright 1997 by Harris Instrument Corp. This drawing contains information which is the proprietary property of Harris Instrument Corp. Copies may not be made or the contents disclosed beyond the expressed authorization of Harris Instrument Corp. This print shall be returned upon request. All rights reserved.



MOUNTING HOLE "A" 5/16"  
(0.3125" [7.9mm]) DIAMETER.

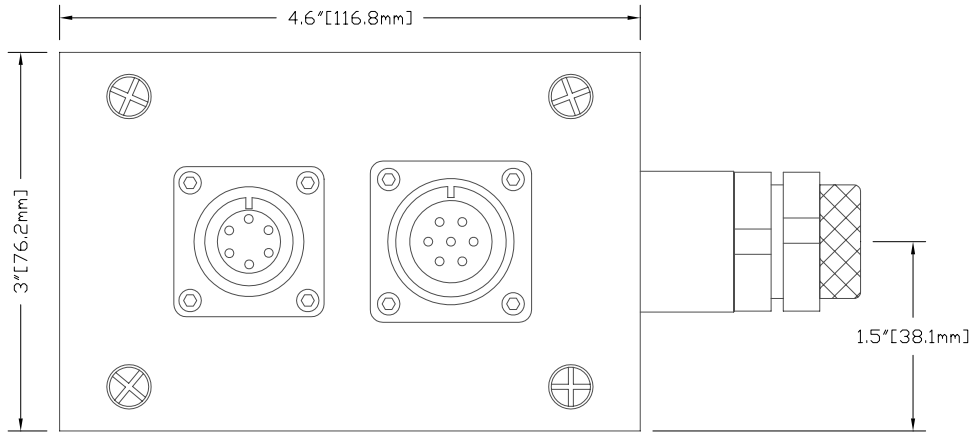
NOTE: LINEAR TOLERANCES ±0.010" [0.254MM] UNLESS NOTED. CUMULATIVE TOLERANCES NOT TO EXCEED 0.025" [0.625MM] UNLESS NOTED. HOLE TOLERANCES +0.010"/-0.000" [+0.025MM/-0MM] UNLESS NOTED. ANGULAR TOLERANCES NOT TO EXCEED 2° UNLESS NOTED.

<b>HARRIS INSTRUMENT Corporation</b> 155 Johnson Drive Delaware, Ohio 43015 U.S.A.						
Page 1/1	Size A	Scale 1:1.5	Drawn by MCM	Date 05/25/95	Approved by	Date
Part Revision	DWG Revision 1	EVO # N/A	EPS # N/A	Standard Finish Blue Polane Paint		
Material				Assembly # N/A		
Drawing Title Model EG-30A Receiver Unit Dimensions				Old Drawing # CA95087		
				Part # 1295087		

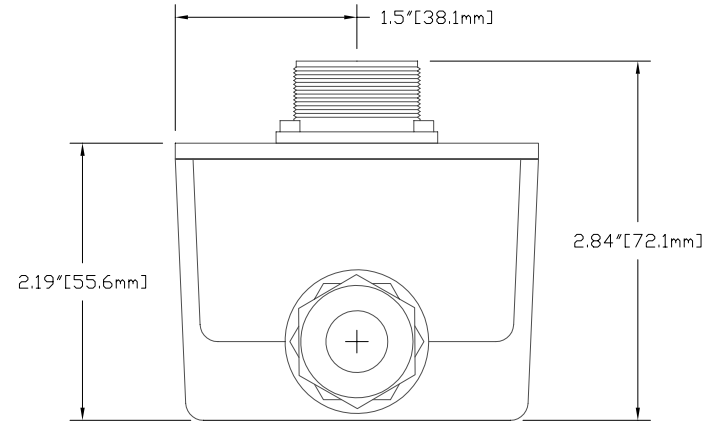
Date	Rev	Record	Auth	ECN #	Reference
05/05/97	1	Update Border/Part #	ML		

This drawing copyright 1997 by Harris Instrument Corp. This drawing contains information which is the proprietary property of Harris Instrument Corp. Copies may not be made or the contents disclosed beyond the expressed authorization of Harris Instrument Corp. This print shall be returned upon request. All rights reserved.

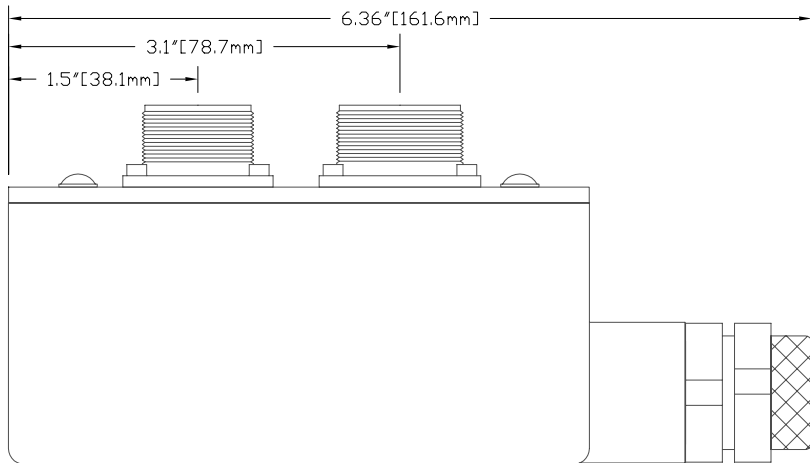
Date	Rev	Record	Auth	ECN #	Reference
05/06/97	1	Update Border/Part #	ML		



TOP VIEW



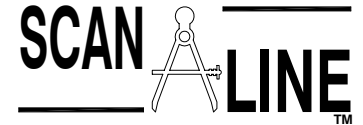
END VIEW



SIDE VIEW

NOTE: LINEAR TOLERANCES  $\pm 0.010"$  [0.254MM] UNLESS NOTED. CUMULATIVE TOLERANCES NOT TO EXCEED  $0.025"$  [0.625MM] UNLESS NOTED. HOLE TOLERANCES  $+0.010"/-0.000"$  [+0.025MM/-0MM] UNLESS NOTED. ANGULAR TOLERANCES NOT TO EXCEED  $2^\circ$  UNLESS NOTED.

HARRIS INSTRUMENT Corporation  
155 Johnson Drive  
Delaware, Ohio 43015 U.S.A.

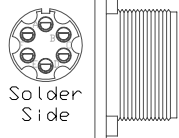


Page 1/1	Size A	Scale 1:1.5	Drawn by MCM	Date 06/16/95	Approved by	Date
Part Revision	DWG Revision 1	EVO # N/A	EPS # N/A	Standard Finish Blue Polane Paint	Assembly #	
Material	Drawing Title Model EG-30A Junction Box Unit Dimensions	Old Drawing # CA95106	Part # 1295106			

This drawing copyright 1997 by Harris Instrument Corp. This drawing contains information which is the proprietary property of Harris Instrument Corp. Copies may not be made or the contents disclosed beyond the expressed authorization of Harris Instrument Corp. This print shall be returned upon request. All rights reserved.

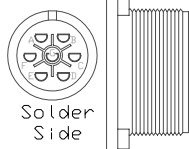
Date	Rev	Record	Auth	ECN #	Reference
08/21/95	1	CAD Conversion	MCM		WA95169 EG-30A Receiver Cable
10/09/95	A	Add Processor Wiring	HV		WA95170 EG-30A Junction Box Cable
10/25/96	2	Update Border	MCM		WA95171 EG-30A Emitter Cable
05/06/97	3	Update Part #	ML		

Model EG-30A Junction Box



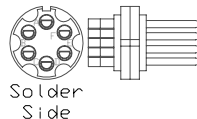
PIN	COLOR
A	WHITE
B	BLACK
C	RED
D	GRAY
E	BLACK
F	VIOLET

Junction Box 6-Pin Female Bulkhead



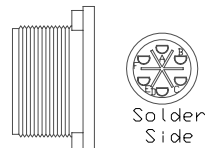
PIN	COLOR
A	WHITE
B	BLACK
C	RED
D	VIOLET
E	WH/GRN
F	GREEN
G	GRAY

Junction Box 7-Pin Female Bulkhead



PIN	COLOR	PAIR
A	WHT/BLK	W/B
B	BLACK	R/B
C	RED	R/B
D	SHIELD	GRAY
E	BLACK	G/B
F	GREEN	G/B

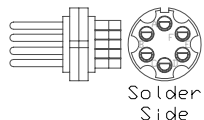
Junction Box 6-Pin Male Shell



PIN	COLOR
A	GRAY
B	BLACK
C	RED
D	GREEN
E	GRAY
F	BLUE

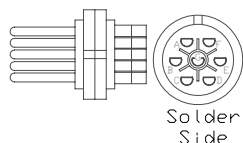
Processing Unit 6-Pin Female Bulkhead

Model EG-30A Receiver



PIN	COLOR	PAIR
A	W/B	B/W
B	BLACK	R/B
C	RED	R/B
D	SHIELD	GRAY
E	BLACK	G/B
F	GREEN	G/B

Receiver 6-Pin Male Shell



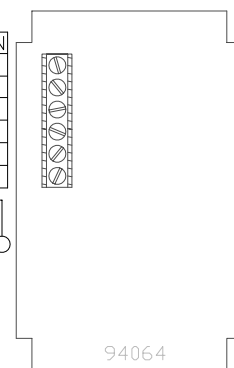
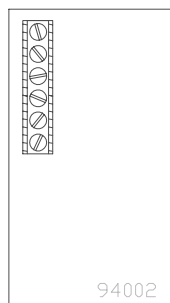
PIN	COLOR	PAIR
A	BLACK	W/B
B	BLACK	R/B
C	RED	R/B
D	GREEN	G/B
E	BLACK	G/B
F	WHITE	W/B
G	SHIELD	GRAY

Emitter 7-Pin Male Shell  
Shield to Case Standoff

PIN	COLOR	PAIR	FUNCTION
1	SHIELD	GRAY	SYNC
2	RED	R/B	+12V
3	BLACK	G/B	COMMON
4	WHT/BLK	W/B	COMMON
5	BLACK	R/B	-12V
6	GREEN	G/B	VIDEO

Model EG-30A Emitter

PIN	COLOR	PAIR	FUNCTION
1	RED	R/B	+12V
2	BLACK	W/B	COMMON
3	BLACK	R/B	-12V
4	GREEN	G/B	IN
5	BLACK	G/B	COMMON
6	WHITE	W/B	OUT



Connector A and/or B TB1 for Single Sensor TB1 & TB2 for Dual Sensor

PIN	COLOR	FUNCTION
1	GRAY	COMMON
2	BLACK	-12V
3	RED	+12V
4	NC	NC
5	BLUE	ANALOG
6	GRAY/GREEN	SHIELD/COMMON ANALOG

89030

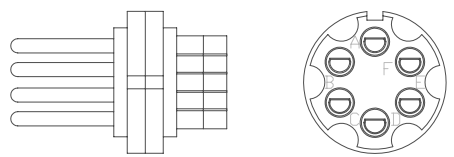
NOTE: LINEAR TOLERANCES ±0.10" (±0.254MM) UNLESS NOTED. CUMULATIVE TOLERANCES NOT TO EXCEED 0.025" (0.625MM) UNLESS NOTED. HOLE TOLERANCES +0.010"/-0.000" (±0.25MM/-0MM) UNLESS NOTED. ANGULAR TOLERANCES NOT TO EXCEED 2° UNLESS NOTED.

HARRIS INSTRUMENT Corporation  
155 Johnson Drive  
Delaware, Ohio 43015 U.S.A.

Page 1/1	Size A	Scale N/A	Drawn by MCM	Date 08/21/95	Approved by	Date
Part Revision A	DWG Revision 3	EVO # N/A	EPS # N/A	Standard Finish N/A	Assembly # N/A	Old Drawing # WA93014A
Drawing Title Model EG-30A Composite Cable Wiring Diagram						Part # 3493014

This drawing copyright 1997 by Harris Instrument Corp. This drawing contains information which is the proprietary property of Harris Instrument Corp. Copies may not be made or the contents disclosed beyond the expressed authorization of Harris Instrument Corp. This print shall be returned upon request. All rights reserved.

Date	Rev	Record	Auth	ECN #	Reference
10/25/96	1	Update Border	MCM		AA95077 EG-30A Emitter Unit Assembly
05/06/97	2	Update Part #	ML		AA95078 EG-30A Receiver Unit Assembly
					AA94002 EG-30A Receiver Board Assembly
					WA93014A EG-30A Composite Cable Diagram



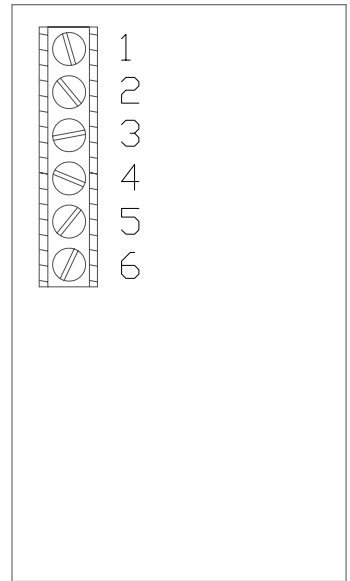
Solder Side

PIN	COLOR	PAIR
A	W/B	B/W
B	BLACK	R/B
C	RED	R/B
D	SHIELD	GRAY
E	BLACK	G/B
F	GREEN	G/B

Receiver 6-Pin Male Amphenol

PIN	COLOR	PAIR	FUNCTION
1	SHIELD	GRAY	SYNC
2	RED	R/B	+12V
3	BLACK	G/B	COMMON
4	WHT/BLK	W/B	COMMON
5	BLACK	R/B	-12V
6	GREEN	G/B	VIDEO

94002 Receiver Board Terminal Block 1 (TB1)



NOTE: LINEAR TOLERANCES ±0.010" (0.254MM) UNLESS NOTED. CUMULATIVE TOLERANCES NOT TO EXCEED 0.025" (0.625MM) UNLESS NOTED. HOLE TOLERANCES +0.010"/-0.000" (+0.25MM/-0MM) UNLESS NOTED. ANGULAR TOLERANCES NOT TO EXCEED 2° UNLESS NOTED.

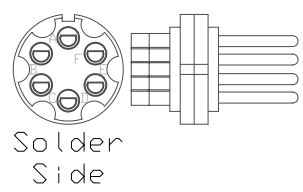
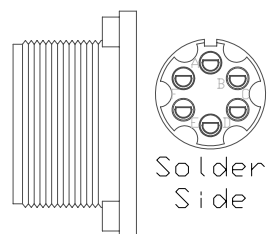
<b>HARRIS INSTRUMENT Corporation</b> 155 Johnson Drive Delaware, Ohio 43015 U.S.A.						
Page	Size	Scale	Drawn by	Date	Approved by	Date
1/1	A	N/A	MCM	10/06/95		
Part Revision	DWG Revision	EVD #	EPS #	Standard Finish		
	2	N/A	N/A	N/A		
Material				Assembly #		
Belden 8777 or equivalent				N/A		
Drawing Title				Old Drawing #		
Model EG-30A Receiver Cable Wiring Diagram				WA95169		
				Part #		3495169

Amphenol: 97-3106A-14S Shell  
 97-3057-8 Strain Relief  
 97-14S-6S 6-Pin Male Plug  
 97-79-513-8 Strain Relief Insert

Cable Length: Standard=7'

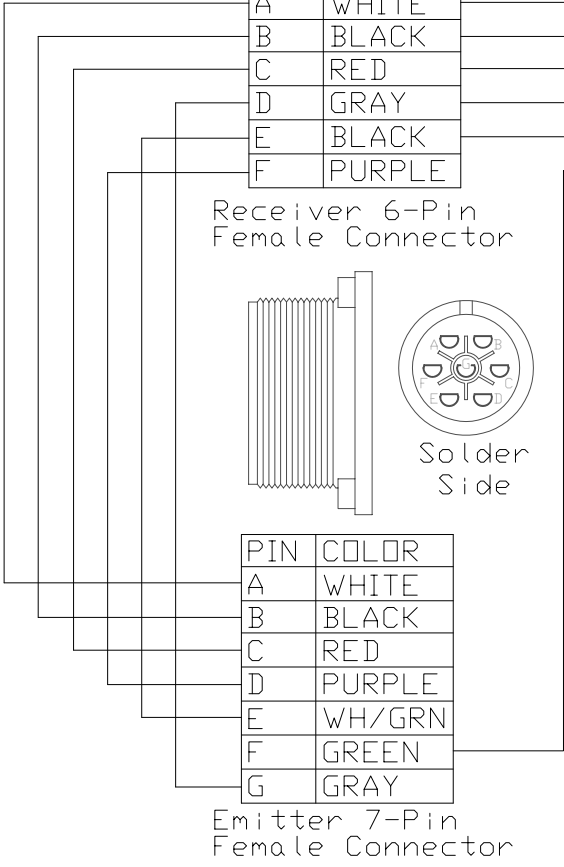
This drawing copyright 1997 by Harris Instrument Corp. This drawing contains information which is the proprietary property of Harris Instrument Corp. Copies may not be made or the contents disclosed beyond the expressed authorization of Harris Instrument Corp. This print shall be returned upon request. All rights reserved.

Date	Rev	Record	Auth	ECN #	Reference
11/25/96	1	Update Border	MCM		WA93014A EG-30A Composite Cable Diagram
05/06/97	2	Update Part #	ML		AA95079 EG-30A J-Box Assembly



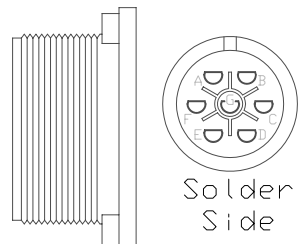
PIN	COLOR
A	WHITE
B	BLACK
C	RED
D	GRAY
E	BLACK
F	PURPLE

PIN	COLOR	PAIR
A	BLACK	W/B
B	BLACK	R/B
C	RED	R/B
D	SHIELD	GRAY
E	BLACK	G/B
F	GREEN	G/B



Receiver 6-Pin Female Connector

Junction Box 6-Pin Male Connector



PIN	COLOR
A	WHITE
B	BLACK
C	RED
D	PURPLE
E	WH/GRN
F	GREEN
G	GRAY

Emitter 7-Pin Female Connector

Circular Connector: 97-3106A-14S Shell  
 97-3057-6 Strain Relief  
 97-14S-06P 6-Pin Male Plug  
 97-79-513-6 Strain Relief Insert

Cable Length: Standard=20', Maximum=50'

NOTE: LINEAR TOLERANCES ±0.010" [0.254MM] UNLESS NOTED. CUMULATIVE TOLERANCES NOT TO EXCEED 0.025" [0.625MM] UNLESS NOTED. HOLE TOLERANCES +0.010"/-0.000" [+0.25MM/-0MM] UNLESS NOTED. ANGULAR TOLERANCES NOT TO EXCEED 2° UNLESS NOTED.

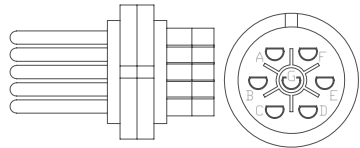
HARRIS INSTRUMENT Corporation  
 155 Johnson Drive  
 Delaware, Ohio 43015 U.S.A.

Page 1/1	Size A	Scale N/A	Drawn by MCM	Date 10/09/95	Approved by	Date
Part Revision	DWG Revision 2	EVO # N/A	EPS # N/A	Standard Finish N/A	Assembly # N/A	Old Drawing #
Material Belden 8777 or equivalent				Drawing Title Model EG-30A Junction Box Cable Wiring Diagram		Part # WA95170
						3495170

This drawing copyright 1997 by Harris Instrument Corp. This drawing contains information which is the proprietary property of Harris Instrument Corp. Copies may not be made or the contents disclosed beyond the expressed authorization of Harris Instrument Corp. This print shall be returned upon request. All rights reserved.



Date	Rev	Record	Auth	ECN #	Reference
10/25/96	1	Update Border	MCM		AA95077 EG-30A Emitter Assembly
05/06/97	2	Update Part #	ML		WA93014A EG-30A Composite Cable Diagram

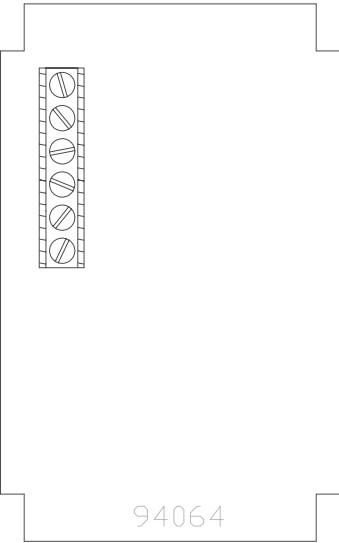


Solder Side

PIN	COLOR	PAIR
A	BLACK	W/B
B	BLACK	R/B
C	RED	R/B
D	GREEN	G/B
E	BLACK	G/B
F	WHITE	W/B
G	SHIELD	GRAY

PIN	COLOR	PAIR	FUNCTION
1	RED	R/B	+12V
2	BLACK	W/B	COMMON
3	BLACK	R/B	-12V
4	GREEN	G/B	IN
5	BLACK	G/B	COMMON
6	WHITE	W/B	OUT

Shield to Case Standoff  
Emitter 7-Pin Male Connector



NOTE: LINEAR TOLERANCES ±0.010" [0.254MM] UNLESS NOTED. CUMULATIVE TOLERANCES NOT TO EXCEED 0.025" [0.625MM] UNLESS NOTED. HOLE TOLERANCES +0.010"/-0.000" [+0.25MM/-0MM] UNLESS NOTED. ANGULAR TOLERANCES NOT TO EXCEED 2° UNLESS NOTED.

HARRIS INSTRUMENT Corporation  
155 Johnson Drive  
Delaware, Ohio 43015 U.S.A.

**SCAN LINE**

Circular Connector: 97-3106A-16S Shell  
97-3057-8 Strain Relief  
97-16S-1P 7-Pin Male Plug  
97-79-513-8 Strain Relief Insert

Cable Length: Standard=7'

This drawing copyright 1997 by Harris Instrument Corp. This drawing contains information which is the proprietary property of Harris Instrument Corp. Copies may not be made or the contents disclosed beyond the expressed authorization of Harris Instrument Corp. This print shall be returned upon request. All rights reserved.

Page	Size	Scale	Drawn by	Date	Approved by	Date
1/1	A	N/A	MCM	10/09/95		
Part Revision	DWG Revision	EVD #	EPS #	Standard Finish		
	2	N/A	N/A	N/A		
Material	Drawing Title	Assembly #	Old Drawing #	Part #		
Belden 8777 or equivalent	Model EG-30A Emitter Cable Wiring Diagram	N/A	WA95171	3495171		